

Digital Temperature Controllers

E5□C Series

The Leading Temperature Controllers in the Control Panel Evolution



- Greater downsizing and higher performance in control panels and other equipment
- Greater efficiency from designing to assembly and operation
- Innovating control panel and equipment usability

For building green control panels

Natural disasters caused by global warming and climate change are becoming a global social issue, that drives over 150 countries and regions worldwide to take action toward decarbonization. Our goal is to reduce greenhouse gas (GHG) emissions toward half by through new ways of building control panels, that key figure of the manufacturing site.



Process

Realize greatly reduces design/manufacturing work

Innovation for design, building Process

Further Evolution for Panels

Panel

Realize compact & highly reliable control panels

Building sustainable control panels

Creating green control panels

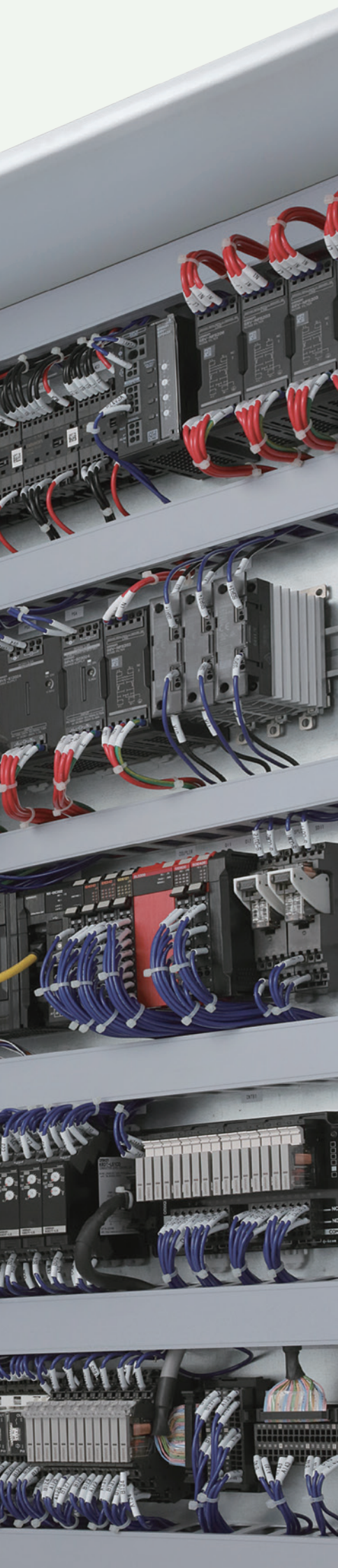
Simple & Easy People

People

Provide reliable and comfortable manufacturing for all people who deal with control panels

Green

Reducing GHG emission of control panels to achieve carbon neutrality



Integrating green perspectives into Value Design

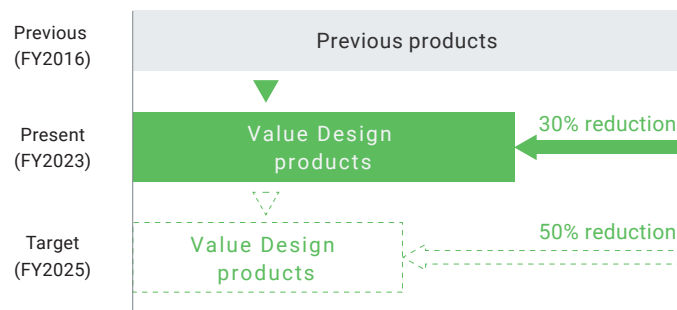
Value Design for Panel (Value Design) is the common concept shared across OMRON's in-panel product specifications to deliver new value to your control panels.

This Value Design also integrate environment consideration concept that enable earth and user-friendly control panel building.

Value Design for Panel

- 1 Unified height & slim size*¹
- 2 Side-by-side mounting at (55°C) ambient temperature*²
- 3 Unique Push-In Plus technology*¹
- 4 Front-in and front-release wiring
- 5 eCAD library
- 6 Certification for CE, UL, and CSA
- 7 **Green features that save energy and resources*³**

CFP of control panel (total GHG emissions)*⁴



*1. Expect for some products

*2. Side-by-side mounting is possible in the same series

*3. Greener design compared to previous (2016) products

*4. CFP (carbon footprint) of control panel is a calculation result of referring the life cycle assessment method that based on international standards ISO14067 which define CO₂ quantitative conversion of the environmental burden at every stage, from manufacturing, transportation, use, and disposal of the control panel (product). According to OMRON investigation in May 2023.

A wide range of lineup to handle various

Save Space with a Compact Body That's Only 60 mm in Depth

A short body that's 77% of our previous model has been achieved.

This makes the Controller applicable in tight spaces with limited depth.



Help Reduce Panel Space

Even with the 48 × 24 size, OMRON has achieved a PV display character height of over 10 mm and dual displays for the present value and set point. This enables compact panels that are easy to read.



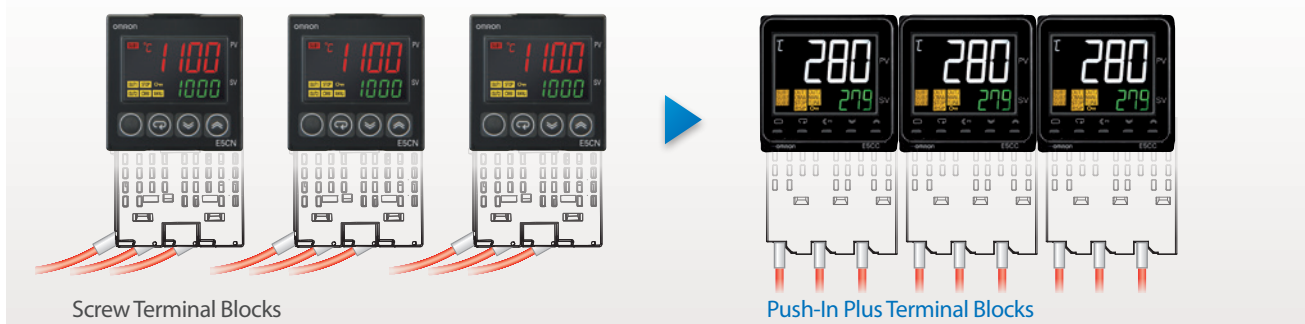
Equal Operability as On-panel Controllers Plus Space-saving Layouts inside Control Panels

The unified operability of the E5□C Series in a DIN Track-mounting Controller that is 22.5 mm wide. You can achieve space-saving layouts in control panels.



Push-In Plus technology Enables Horizontal Group Mounting Easily

With Push-In Plus technology, wiring is performed from the back, which facilitates using horizontal group mounting, to achieve compact panel surfaces.



control panel/equipment sizes

Space-saving 22.5 mm Wide Design Saves Reduce wiring work

The lineup has been expanded to include the 22.5 mm wide in-panel E5DC model with Push-In Plus Terminal Block.

This model is not only space-saving for easy installation in control panel but also reduces wiring work.



Reduce Crossover Wiring with Horizontal Connection Structure

Simply connect the device to enable power line and communication cable, reducing the amount of wiring work required. (Maximum connectable units: 16 devices)



Removable Terminal Block for Easy Mounting and Replacement

The removable terminal block means wiring does not need to be removed during maintenance, making mounting and replacement simple.



Removing from the Terminal Block The image is for illustration purpose only.

*Hooks must be pressed to remove from the terminal block.

Greater efficiency from designing to assembly and operation

Design

Programless Communications Eliminates the Time to Create Communications Program with the PLC.

- In addition to communications with PLCs, you can share target temperatures and copy parameter settings with other E5□C series Controllers.

Assembly and Wiring

Push-In Plus technology for Easy Wiring

Just Insert Wires: No Tools Required
Now you can use Push-In Plus technology to reduce the time and work involved in wiring.

Greatly Reduce Wiring Work with Push-In Plus technology

Easy to Insert
OMRON's Push-In Plus terminal blocks are as easy as inserting to an earphone jack. They help reduce the work load and improve wiring quality.

Held Firmly in Place
Even though less insertion force is required, the wires are held firmly in place. The advanced mechanism design technology and manufacturing technology produced a spring that ensures better workability and reliability.

IEC standard (cable diameter)	Push-In Plus terminal block	Screw terminal block
20 N min. (AWG20,0.5 mm ²)	125 N	112 N

No Retightening Required
Tightening screws is necessary for screw terminal blocks, but with Push-In Plus terminal blocks, there is no need for retightening.

Temperature Sensors
Temperature Sensors with Ferrules are also available to help reduce the time and work involved in wiring.

**E5CC-B
E5EC-B
E5DC-B**

Setup, Adjustment, and Operation

CX-Thermo Special Setup Software (Sold Separately) Effectively Reduces Work from Setup to Adjustment and Operation.

You can perform the following operations with the CX-Thermo.

- Setting and saving parameters
- Logging, browsing, and exporting data
- Printing parameter lists, and more

Also, power is supplied through the Bus Power, so you do not have to wire the power supply to set parameters.

*USB-Serial Conversion Cable (Sold Separately)

Innovating control panel and equipment usability

Easy Display Confirmation On-site.

Big white characters on a black background achieve superior visibility. Operator movement distances are minimized to help increase work efficiency.



High-contrast displays enable easier confirmation regardless of ambient lighting conditions.



A wide viewing angle was achieved with the LCDs to enable easy confirmation of the PV.

Reduces the workload of entering set values on-site.

Functions are provided to reduce work in operating and changing settings for the Controllers.

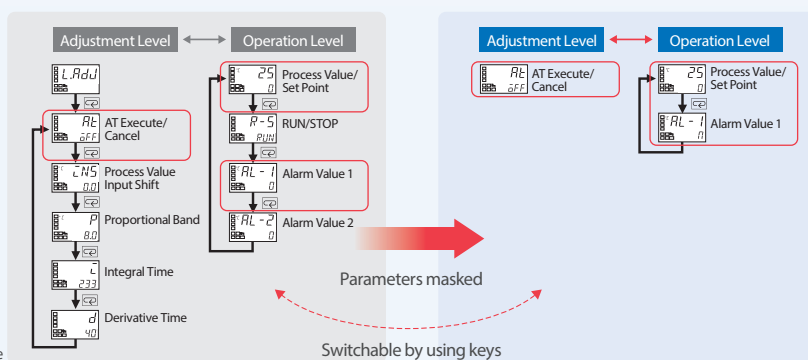
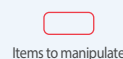
Just press the shift key (<<PF) to move the digit. This simplifies numeric entry at worksite.



Just press the shift key to move the digit.

CX-Thermo Functions

Use parameter masks to display only the required parameters. The time required to change settings, such as for changeovers, is greatly reduced.



Product Lineup

Terminal type	Size	48 × 24 mm	48 × 48 mm	48 × 96mm	96 × 96mm	DIN 22.5-mm width
Push-In Plus terminal block 			E5CC-B 	E5EC-B 		E5DC-B 
Screw terminal block		E5GC* 	E5CC 	E5EC 	E5AC 	E5DC 
Plug-in models			E5CC-U 			

*Screwless clamp terminal blocks also available.
Refer to the E5□C Series Datasheet (Cat. No. H177) for details.

OMRON Corporation Industrial Automation Company

Kyoto, JAPAN

Contact : www.ia.omron.com

Regional Headquarters

OMRON EUROPE B.V.

Wegalaan 67-69, 2132 JD Hoofddorp
The Netherlands
Tel: (31) 2356-81-300 Fax: (31) 2356-81-388

OMRON ELECTRONICS LLC

2895 Greenspoint Parkway, Suite 200
Hoffman Estates, IL 60169 U.S.A.
Tel: (1) 847-843-7900 Fax: (1) 847-843-7787

OMRON ASIA PACIFIC PTE. LTD.

438B Alexandra Road, #08-01/02 Alexandra
Technopark, Singapore 119968
Tel: (65) 6835-3011 Fax: (65) 6835-3011

OMRON (CHINA) CO., LTD.

Room 2211, Bank of China Tower,
200 Yin Cheng Zhong Road,
PuDong New Area, Shanghai, 200120, China
Tel: (86) 21-6023-0333 Fax: (86) 21-5037-2388

Authorized Distributor:

©OMRON Corporation 2016-2023 All Rights Reserved.
In the interest of product improvement,
specifications are subject to change without notice.
CSM_3_1

Cat. No. H220-E1-04 0923 (0316)