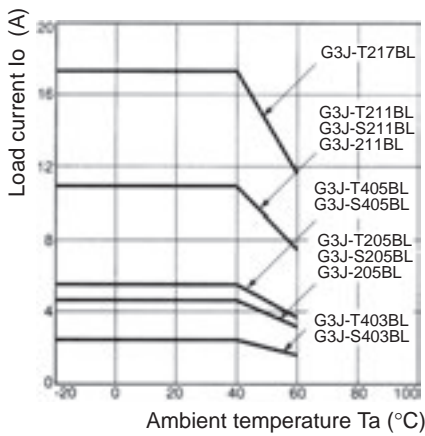


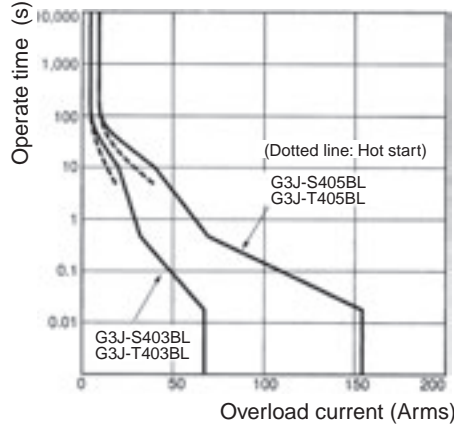
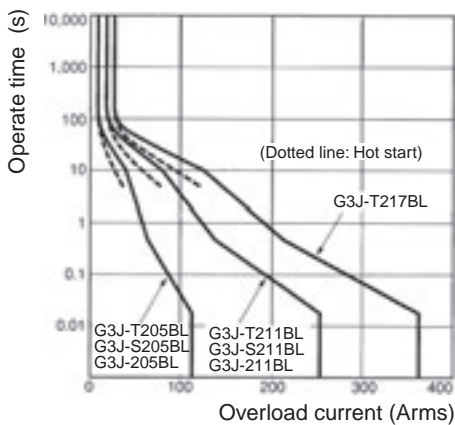
■ Engineering Data

Load Current vs. Ambient Temperature



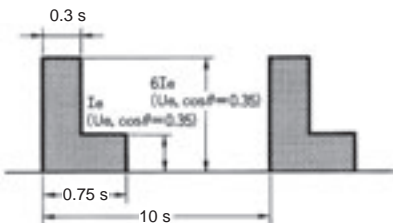
Overload Current Resistivity

Conditions: 60 Hz, Ta of 25°C, non-repetitive (1/2 for repetitive)



■ **Switching Frequency Test Conditions (AC3/AC4/AC53-a)**

AC3 Class (Immediate Start)



Ie: Rated carry current
Ue: Rated load voltage (200/400 V)

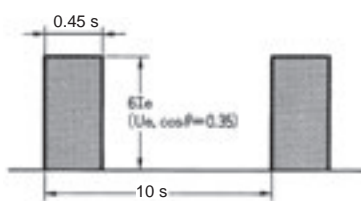
The following Soft-start conditions apply.

Ramp-up time: 1 s
Starting torque: 450% In

The following Soft-start/stop conditions apply:

Ramp-up time: 1 s
Ramp-down time: 1 s
Starting torque: 450% In

AC4 Class (Inching)



Ie: Rated carry current
Ue: Rated load voltage (200/400 V)

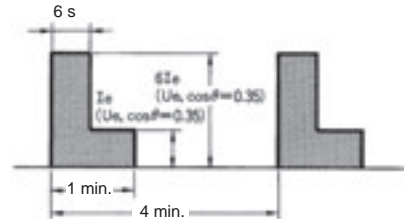
The following Soft-start conditions apply.

Ramp-up time: 1 s
Starting torque: 450% In

The following Soft-start/stop conditions apply:

Ramp-up time: 1 s
Ramp-down time: 1 s
Starting torque: 450% In

AC53-a: 6-6: 25-15



Ie: Rated carry current
Ue: Rated load voltage (200/400 V)

The following Soft-start conditions apply.

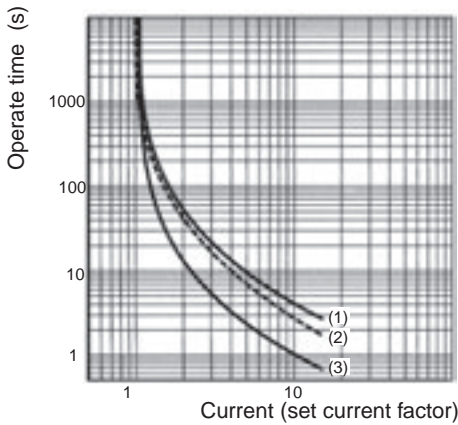
Ramp-up time: 1 s
Starting torque: 450% In

The following Soft-start/stop conditions apply:

Ramp-up time: 1 s
Ramp-down time: 1 s
Starting torque: 450% In

Recommended Thermal Overload Performance

Overload Characteristics



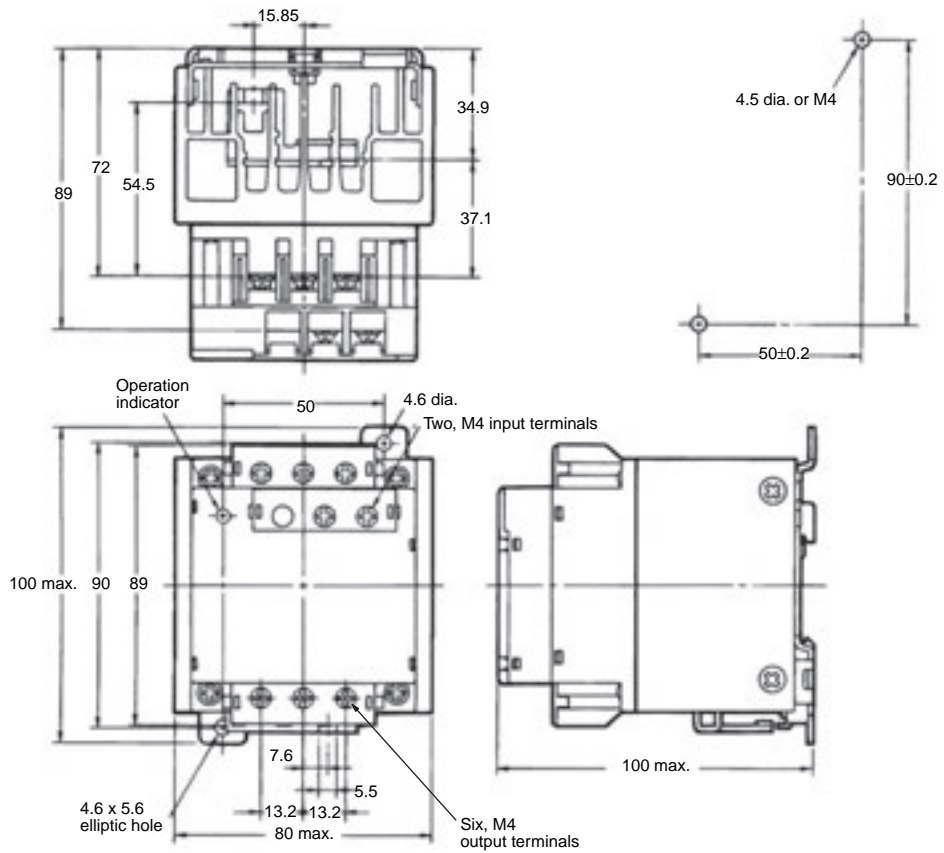
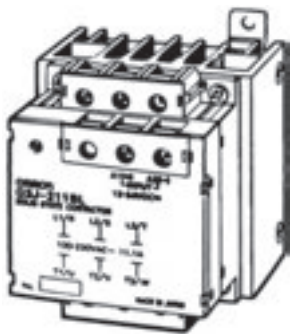
- (1): Balanced operation, 3-phase, from cold state
- (2): Balanced operation, 2-phase, from cold state
- (3): Balanced operation, 3-phase, after a long period of set current flow (hot state).

Dimensions

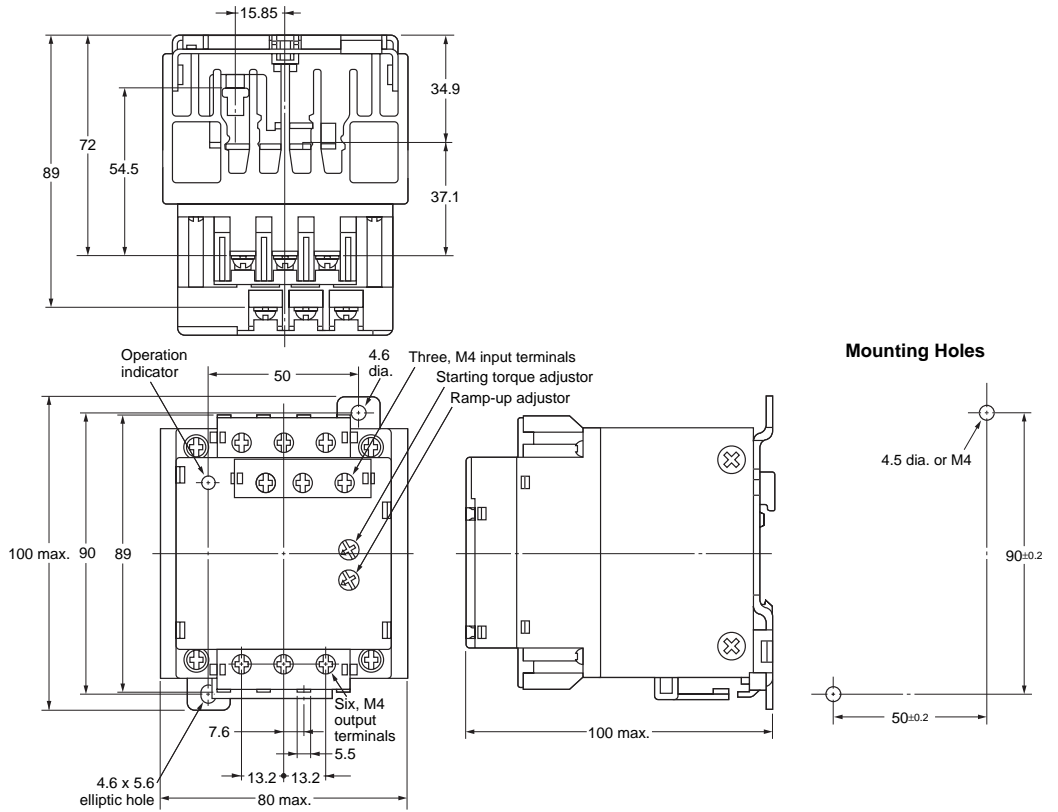
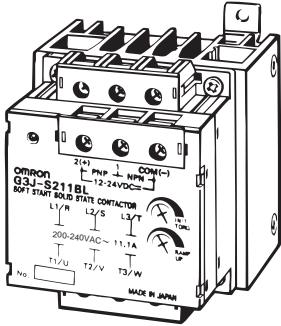
Note: All units are in millimeters unless otherwise indicated.

Solid State Contactors

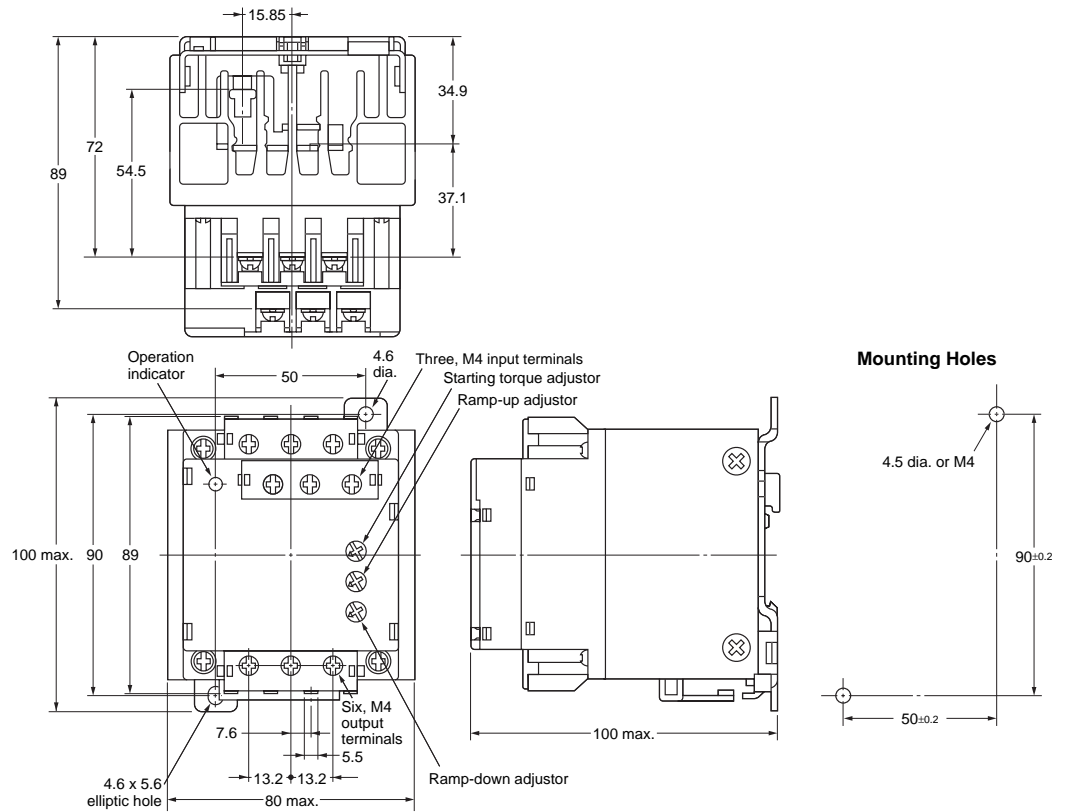
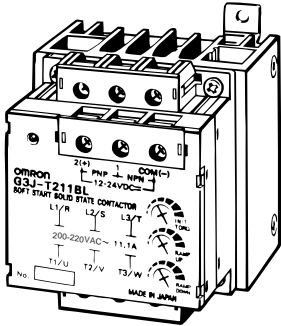
- G3J-211BL
- G3J-205BL
- G3J-211BL-2
- G3J-205BL-2



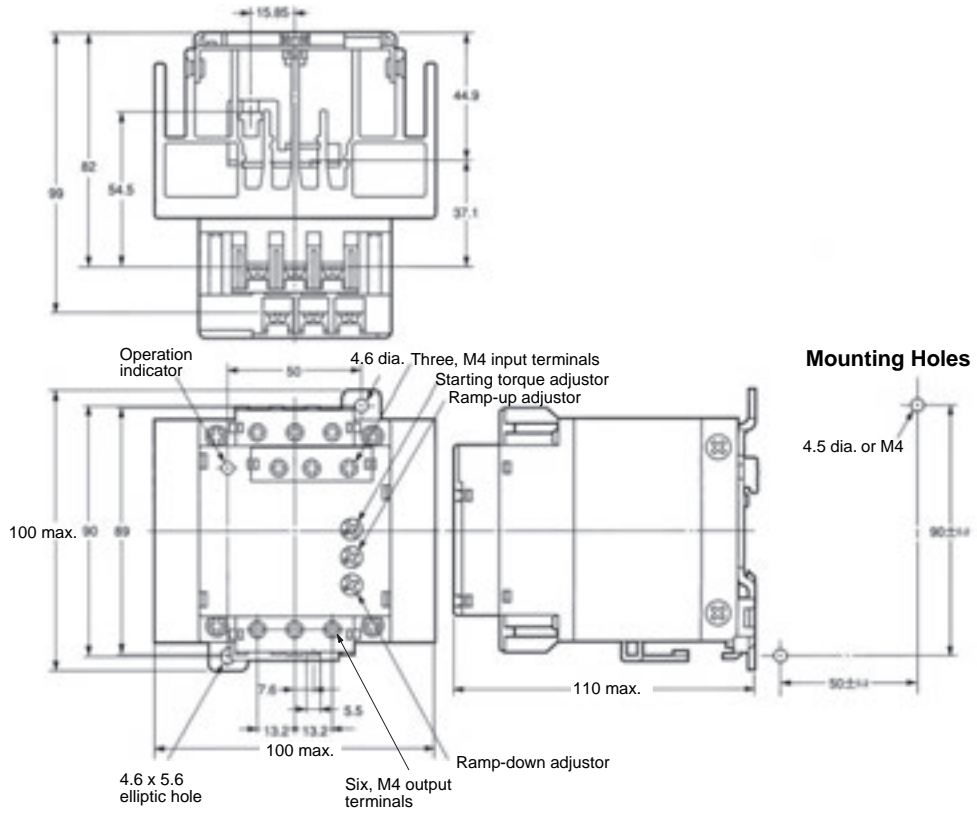
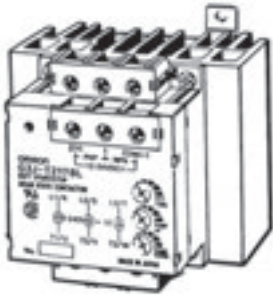
**G3J-S211BL
G3J-S205BL
G3J-S405BL
G3J-S403BL**



**G3J-T211BL
G3J-T205BL
G3J-T405BL
G3J-T403BL**



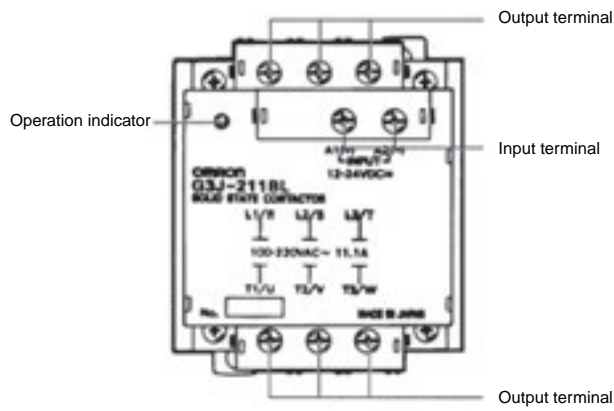
G3J-T217BL



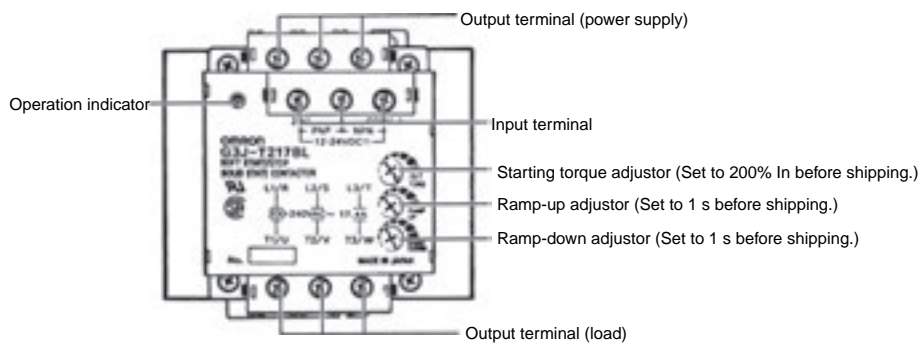
Installation

■ Nomenclature

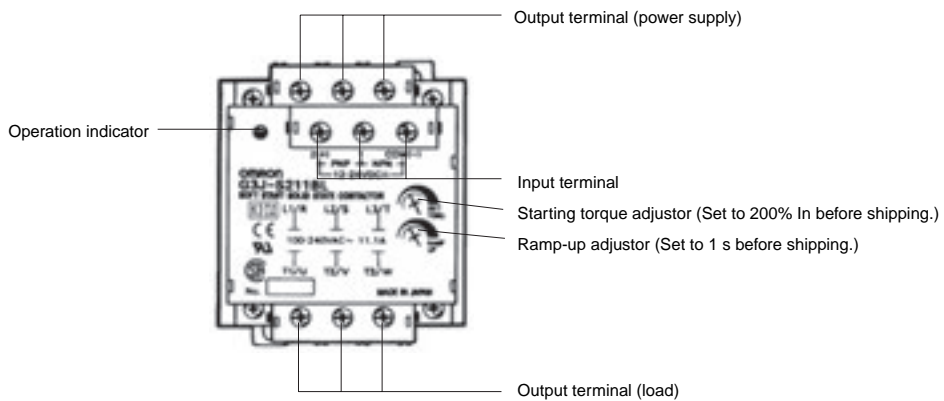
G3J



G3J-T

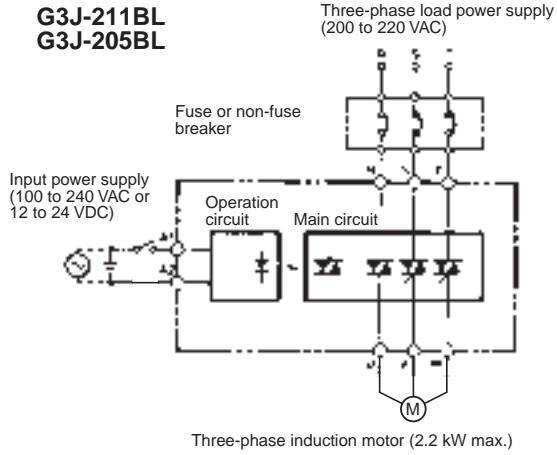


G3J-S

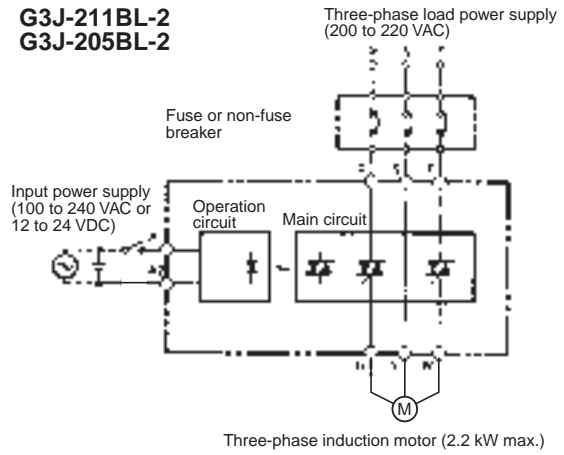


Internal Connections

Simple 3-element Models

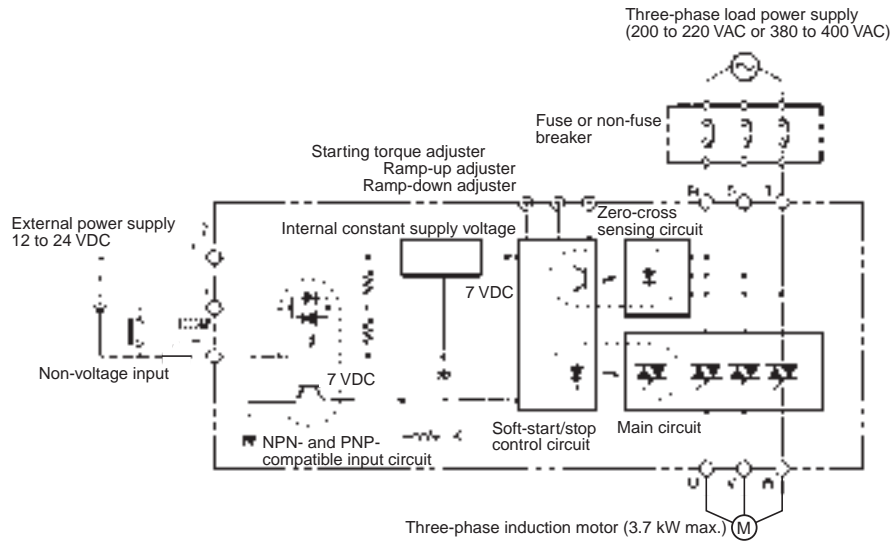


Simple 2-element Models



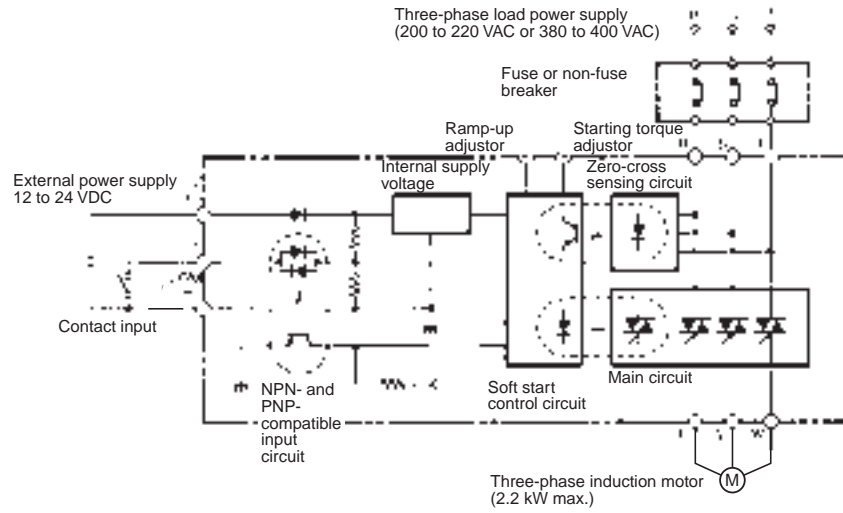
Soft-start/stop Models

**G3J-T217BL
G3J-T211BL
G3J-T205BL
G3J-T405BL
G3J-T403BL**



Soft-start Models

G3J-S211BL
G3J-S205BL
G3J-S405BL
G3J-S403BL

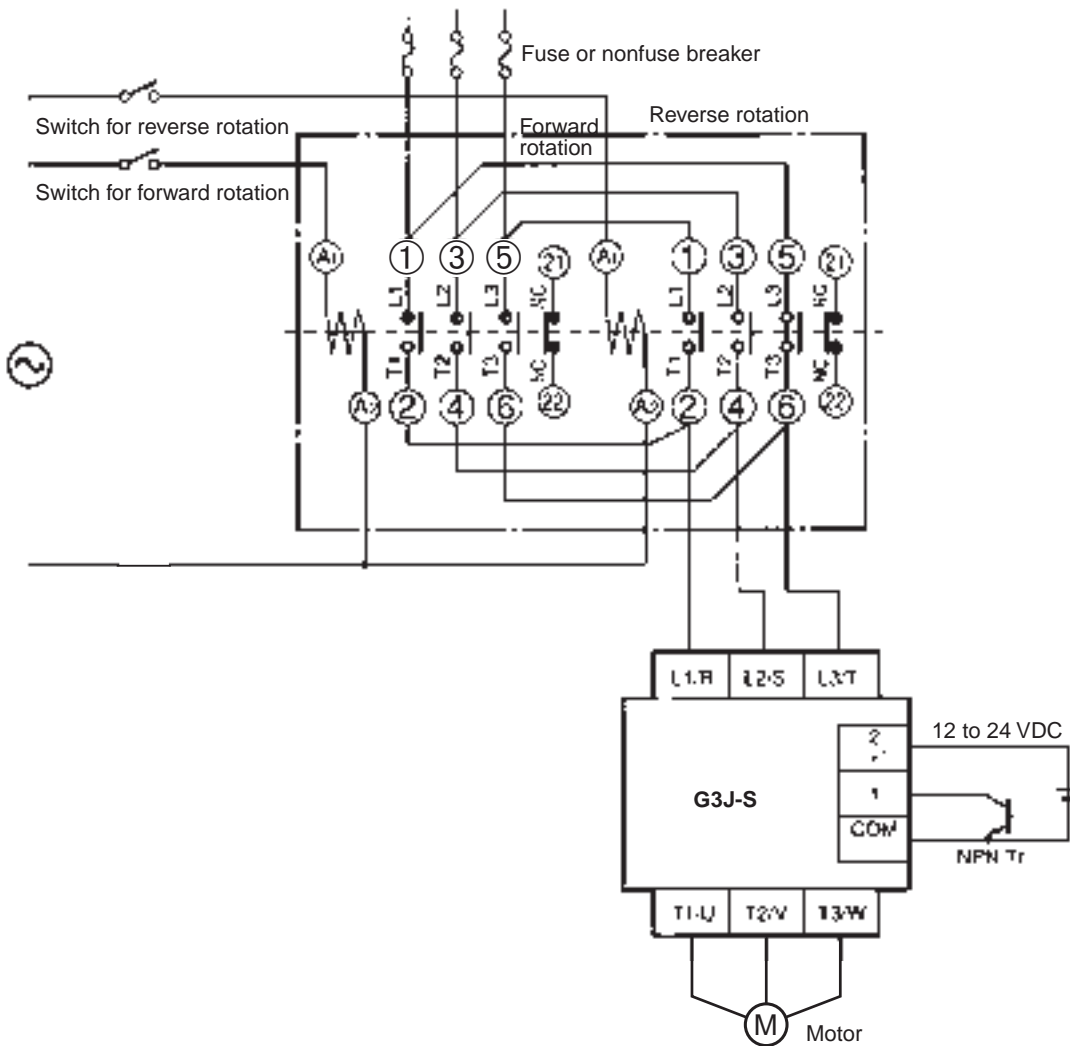


Forward/Reverse Rotation

G3J-S or G3J-T with a Reversible Contactor with Built-in Mechanical Interlock Function

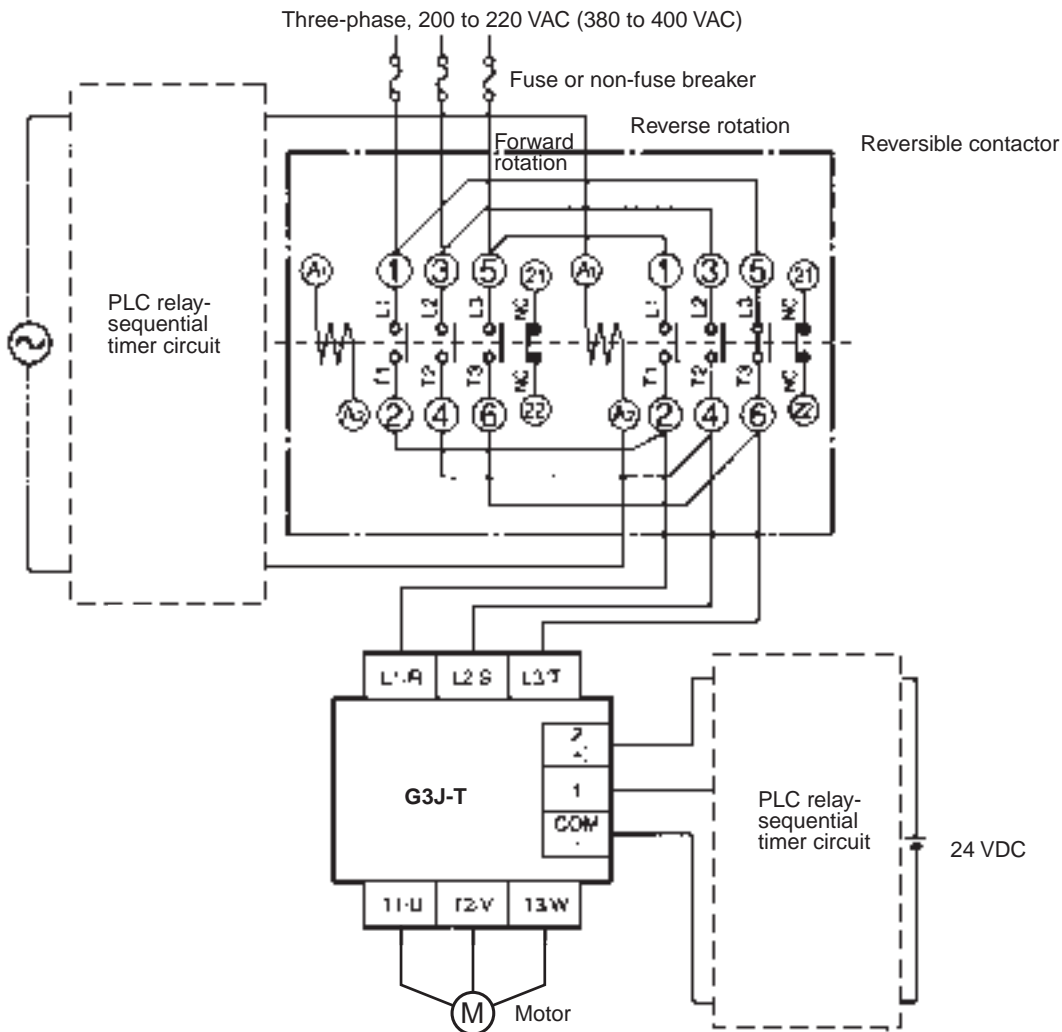
G3J-S□BL or G3J-T□BL

Three-phase, 200 to 220 VAC (380 to 400 VAC)

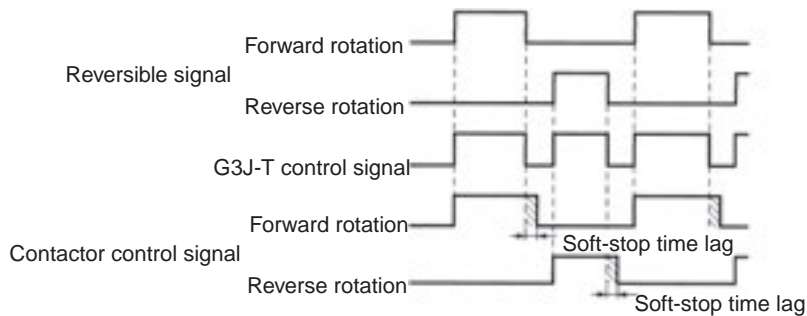


- Note:**
1. Be sure to use a fuse or non-fuse breaker to protect the G3J.
 2. Make sure that the interval between forward and reverse operations is at least 100 ms.
 3. Be sure to apply the input signal of the G3F-S after the reversible contactor starts operating. If the input signal is applied before the contactor starts operating, the soft-start function may not operate.

G3J-S or G3J-T



For soft-stop control, the G3J-T has enough load current to continue rotating the motor during ramp-down time setting even after the control signal of the G3J-T is tuned OFF. Therefore, a time lag is required between the time when the G3J-T stops operating up to the time when the reversible contactor is turned OFF. The ramp-down time of the G3J-T is adjustable up to approximately 25 s max. Therefore, set the time lag to 25 s in the initial sequence during the adjustment stage. Adjust the time lag of the sequential circuit according to the application.



Note: Make sure that the interval between forward and reverse operations is at least 100 ms. If the G3J is turned ON by noise input, short-circuiting between phases will result. In order to prevent this, insert a protective resistor.

! WARNING

Do not use two G3J-S or G3J-T Units together in reversible operation.

Connections Example

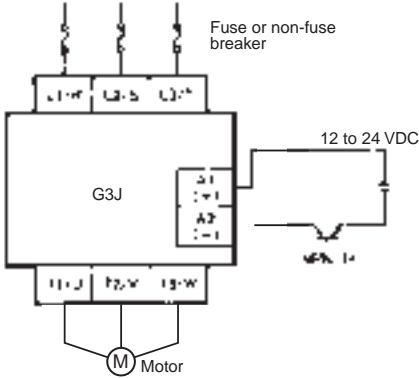
Harmonized protection is ensured for motor overcurrents.

Be sure to supply power to the G3J through a fuse or non-fuse breaker to protect the G3J from damage due to short-circuiting.

Simple DC-input Models

G3J-□BL, G3J-□BL-2

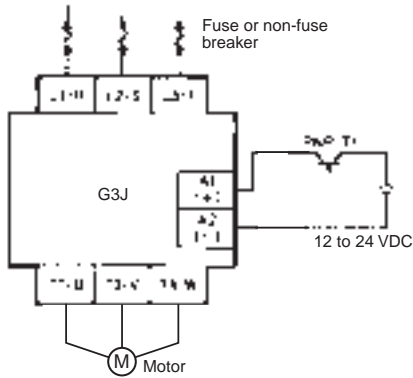
Three-phase, 200 to 220 VAC



Simple DC-input Models

G3J-□BL, G3J-□BL-2

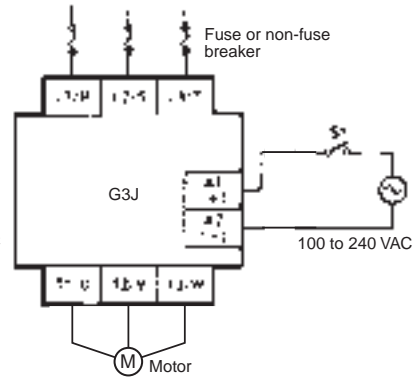
Three-phase, 200 to 220 VAC



Simple AC-input Models

G3J-□BL, G3J-□BL-2

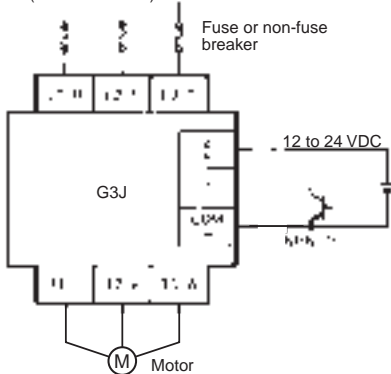
Three-phase, 200 to 220 VAC



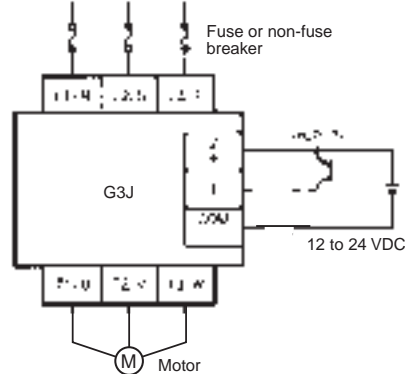
Soft-start/Soft-start/stop Models

G3J-S□BL, G3J-T□BL

Three-phase, 200 to 220 VAC
(380 to 400 VAC)



Three-phase, 200 to 220 VAC
(380 to 400 VAC)



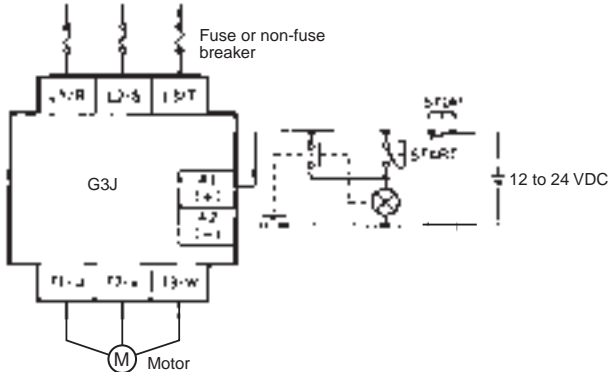
Note: 1. When the minimum applicable load of the thermal relay auxiliary contacts becomes smaller than the input current of the G3J, insert a bleeder resistance.

2. Connect the thermal relay NC contact to the 2 (+) or COM (-) line. Connecting the thermal relay NC contact to the 1 input will cause contact failure.

Self-hold Circuits

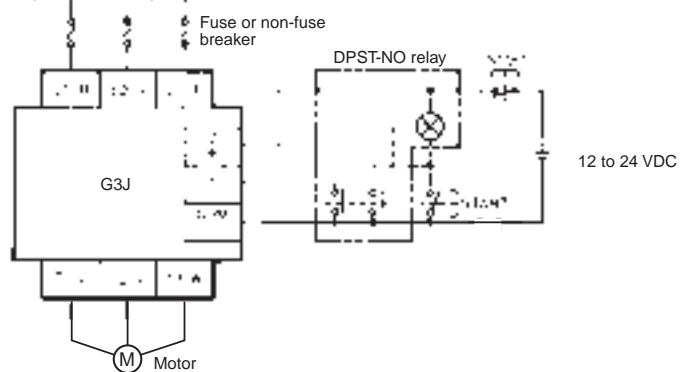
G3J-□BL, G3J-□BL-2

Three-phase, 200 to 220 VAC



G3J-S□BL, G3J-T□BL

Three-phase, 200 to 220 VAC
(380 to 400 VAC)



Note: Be sure to use a fuse or non-fuse breaker to protect the G3J.

■ Fuse Selection

The following table shows the I^2t (60 Hz half-wave 1 cyc) values for G3J models.

Model	I^2t
G3J-T217BL	2,660A ² s
G3J-S211BL G3J-T211BL	1,260A ² s
G3J-S205BL G3J-T205BL	121A ² s
G3J-S405BL G3J-T405BL	260A ² s
G3J-S403BL G3J-T403BL	260A ² s

When selecting a fuse to protect a G3J, use a quick-breaking fuse for semiconductor protection that satisfies the following condition:
fuse's $I^2t < G3J$'s I^2t .

Operation

■ Soft-Start/Stop (Function of G3J-T)

The G3J-T is a solid state contactor that smoothly starts and stops machines and equipment connected to power supplies without damaging the machines, equipment, or power supplies.

Soft-start Time

The voltage imposed on the motor increases while ignition α is gradually reduced, thus gradually increasing the rotation speed of the motor.

Ramp-up Time

Ramp-up time is a period required for ignition α to become zero degrees with a 100% voltage imposed on the motor.

Starting Torque

Starting torque is determined by the value of ignition α immediately after the input signal is turned ON.

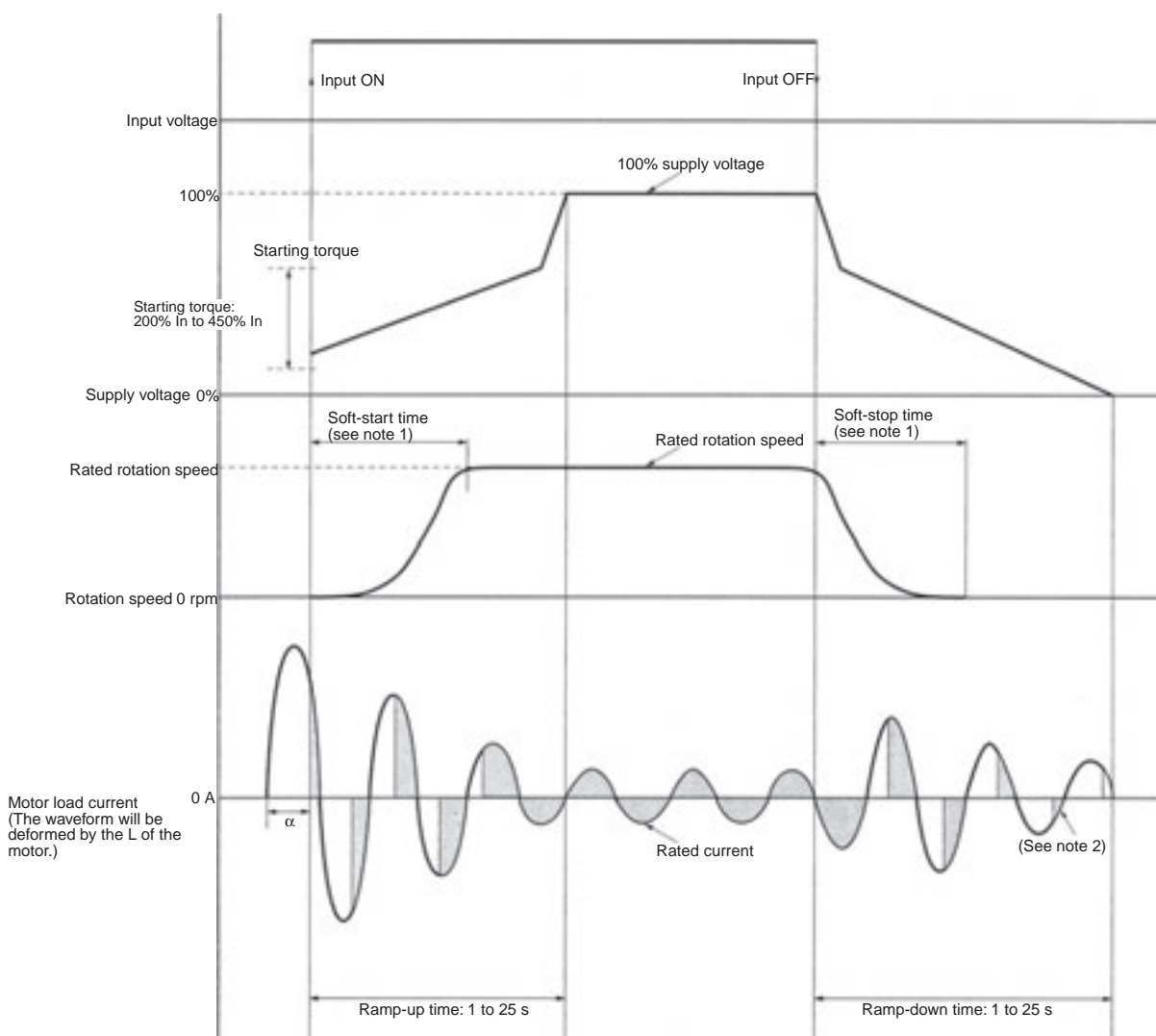
Soft-stop Time

The voltage imposed on the motor decreases while ignition α is gradually increased, thus gradually decreasing the rotation speed of the motor.

Ramp-down Time

Ramp-down time is a period required for ignition α to become 180 degrees with a 0% voltage imposed on the motor.

Soft-start/stop Characteristics



- Note: 1.** In addition to starting torque, ramp-up time, and ramp-down time, the soft-start time and soft-stop time vary with the load characteristics such as the inertia and friction factor of the load. Therefore, the soft-start time or soft-stop time will not increase beyond a certain point.
- 2.** Due to the soft-stop control characteristics, the load current continues flowing even after the motor stops. Set to the optimum value according to the adjustment steps.

■ Soft-start/stop Setting Method

Adjuster

Starting Torque Setting with the Starting Torque Adjuster

The starting torque of a motor can be set within a range from 200% to 450% In provided that the starting torque is 600% In when the motor is started at full voltage, which allows optimum motor control without any time lag at the time the motor starts.



Set with a Phillips or flat-blade screwdriver.

Ramp-up Time Setting with the Ramp-up Adjuster

The ramp-up time of a motor can be set within a range from 1 to 25 s, with which the soft-start time of the motor is adjusted until the motor rotates at full speed.



Set with a Phillips or flat-blade screwdriver.

Ramp-down Time Setting with the Ramp-down Adjuster

The ramp-down time of a motor can be set within a range from 1 to 25 s, with which the soft-stop time of the motor is adjusted until the motor decelerates to a stop.



Set with a Phillips or flat-blade screwdriver.

Adjustment Steps

1. Start and stop the motor with the factory settings.
Ramp-up adjuster: 1 s
Starting torque adjuster: 200% In
Ramp-down adjuster: 1 s
2. If the motor does not rotate smoothly, increase the starting torque.
3. Gradually increase the ramp-up time to adjust the start time.
4. Gradually increase the ramp-down time to adjust the stop time.
5. The soft-start time or soft-stop time will not increase beyond a certain point (depend on load). Do not set the ramp-up time or ramp-down time beyond this point.

Further Adjustment or Arrangement

1. Increase the starting torque if the motor does not start with a long soft-start time.
2. To start normally (i.e., not using soft-start) use a simple G3J model.

ALL DIMENSIONS SHOWN ARE IN MILLIMETERS.

To convert millimeters into inches, multiply by 0.03937. To convert grams into ounces, multiply by 0.03527.

In the interest of product improvement, specifications are subject to change without notice.

Terms and Conditions Agreement

Read and understand this catalog.

Please read and understand this catalog before purchasing the products. Please consult your OMRON representative if you have any questions or comments.

Warranties.

(a) Exclusive Warranty. Omron's exclusive warranty is that the Products will be free from defects in materials and workmanship for a period of twelve months from the date of sale by Omron (or such other period expressed in writing by Omron). Omron disclaims all other warranties, express or implied.

(b) Limitations. OMRON MAKES NO WARRANTY OR REPRESENTATION, EXPRESS OR IMPLIED, ABOUT NON-INFRINGEMENT, MERCHANTABILITY OR FITNESS FOR A PARTICULAR PURPOSE OF THE PRODUCTS. BUYER ACKNOWLEDGES THAT IT ALONE HAS DETERMINED THAT THE PRODUCTS WILL SUITABLY MEET THE REQUIREMENTS OF THEIR INTENDED USE.

Omron further disclaims all warranties and responsibility of any type for claims or expenses based on infringement by the Products or otherwise of any intellectual property right. (c) Buyer Remedy. Omron's sole obligation hereunder shall be, at Omron's election, to (i) replace (in the form originally shipped with Buyer responsible for labor charges for removal or replacement thereof) the non-complying Product, (ii) repair the non-complying Product, or (iii) repay or credit Buyer an amount equal to the purchase price of the non-complying Product; provided that in no event shall Omron be responsible for warranty, repair, indemnity or any other claims or expenses regarding the Products unless Omron's analysis confirms that the Products were properly handled, stored, installed and maintained and not subject to contamination, abuse, misuse or inappropriate modification. Return of any Products by Buyer must be approved in writing by Omron before shipment. Omron Companies shall not be liable for the suitability or unsuitability or the results from the use of Products in combination with any electrical or electronic components, circuits, system assemblies or any other materials or substances or environments. Any advice, recommendations or information given orally or in writing, are not to be construed as an amendment or addition to the above warranty.

See <http://www.omron.com/global/> or contact your Omron representative for published information.

Limitation on Liability: Etc.

OMRON COMPANIES SHALL NOT BE LIABLE FOR SPECIAL, INDIRECT, INCIDENTAL, OR CONSEQUENTIAL DAMAGES, LOSS OF PROFITS OR PRODUCTION OR COMMERCIAL LOSS IN ANY WAY CONNECTED WITH THE PRODUCTS, WHETHER SUCH CLAIM IS BASED IN CONTRACT, WARRANTY, NEGLIGENCE OR STRICT LIABILITY.

Further, in no event shall liability of Omron Companies exceed the individual price of the Product on which liability is asserted.

Suitability of Use.

Omron Companies shall not be responsible for conformity with any standards, codes or regulations which apply to the combination of the Product in the Buyer's application or use of the Product. At Buyer's request, Omron will provide applicable third party certification documents identifying ratings and limitations of use which apply to the Product. This information by itself is not sufficient for a complete determination of the suitability of the Product in combination with the end product, machine, system, or other application or use. Buyer shall be solely responsible for determining appropriateness of the particular Product with respect to Buyer's application, product or system. Buyer shall take application responsibility in all cases.

NEVER USE THE PRODUCT FOR AN APPLICATION INVOLVING SERIOUS RISK TO LIFE OR PROPERTY OR IN LARGE QUANTITIES WITHOUT ENSURING THAT THE SYSTEM AS A WHOLE HAS BEEN DESIGNED TO ADDRESS THE RISKS, AND THAT THE OMRON PRODUCT(S) IS PROPERLY RATED AND INSTALLED FOR THE INTENDED USE WITHIN THE OVERALL EQUIPMENT OR SYSTEM.

Programmable Products.

Omron Companies shall not be responsible for the user's programming of a programmable Product, or any consequence thereof.

Performance Data.

Data presented in Omron Company websites, catalogs and other materials is provided as a guide for the user in determining suitability and does not constitute a warranty. It may represent the result of Omron's test conditions, and the user must correlate it to actual application requirements. Actual performance is subject to the Omron's Warranty and Limitations of Liability.

Change in Specifications.

Product specifications and accessories may be changed at any time based on improvements and other reasons. It is our practice to change part numbers when published ratings or features are changed, or when significant construction changes are made. However, some specifications of the Product may be changed without any notice. When in doubt, special part numbers may be assigned to fix or establish key specifications for your application. Please consult with your Omron's representative at any time to confirm actual specifications of purchased Product.

Errors and Omissions.

Information presented by Omron Companies has been checked and is believed to be accurate; however, no responsibility is assumed for clerical, typographical or proofreading errors or omissions.