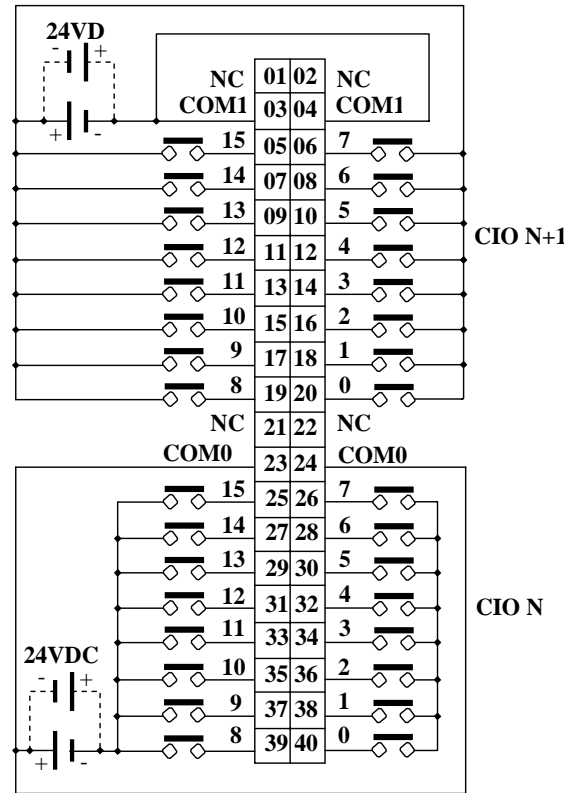
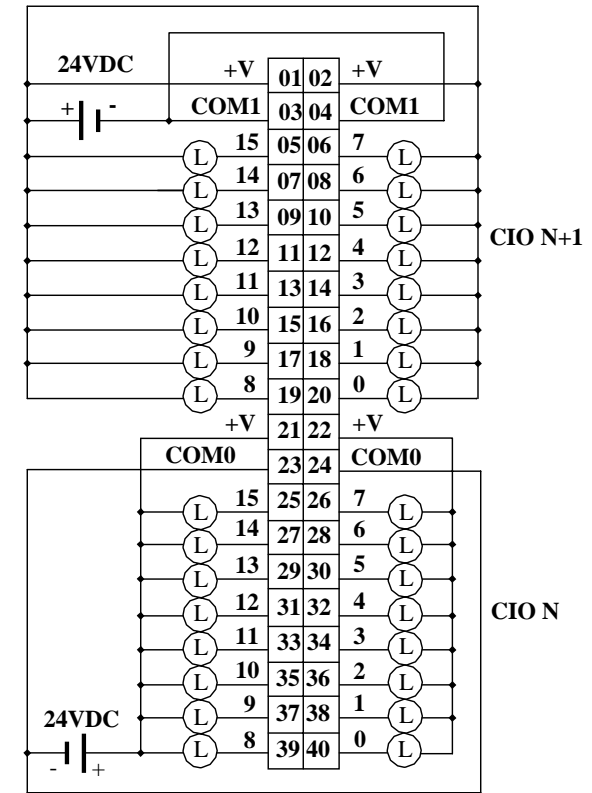


I/O Wiring Diagram

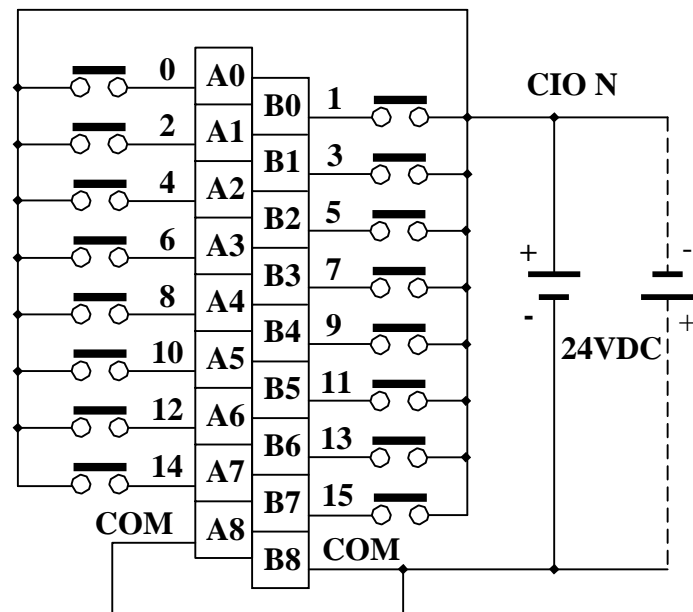
CJ1W-ID233
24V DC
Input (32Points)



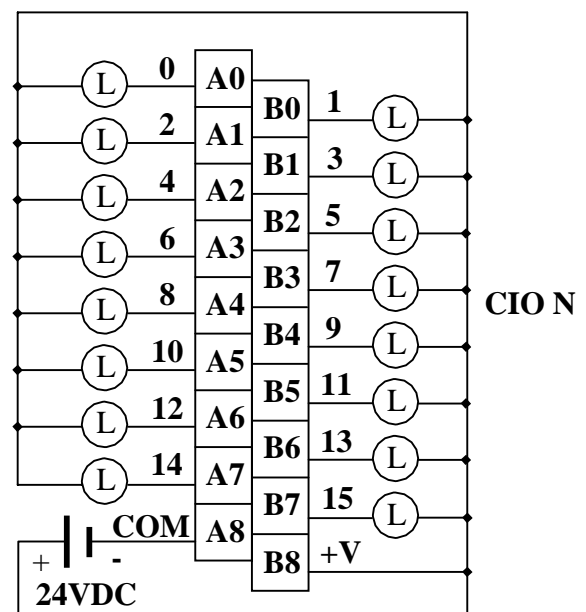
CJ1W-OD234
24V DC
Transistor (PNP) Output (32 Points)



CJ1W-ID212
24V DC
Input (16Points)



CJ1W-OD213
24V DC
Transistor (PNP) Output (16Points)



Precautions for Compliance with UL Standards and CSA Standards

Notice to Users of the SYSMAC CJ1W High Speed DIO Units in the USA and Canada

Please use the following installation information instead of the general information in the instruction manuals in order to use the product under certified conditions of UL and CSA when the product is installed in the USA or Canada. These conditions are required by NFPA 70, National Electrical Code in the USA and the Canadian Electrical Code, Part I in Canada and may vary from information given in the product manuals or safety precautions.

- CJ1W-ID212/OD213 I/O Wiring

- Do not use crimp terminals for I/O wiring. Tighten the screw directly on the solid wire.
- Do not insert more than one wire in one terminal.

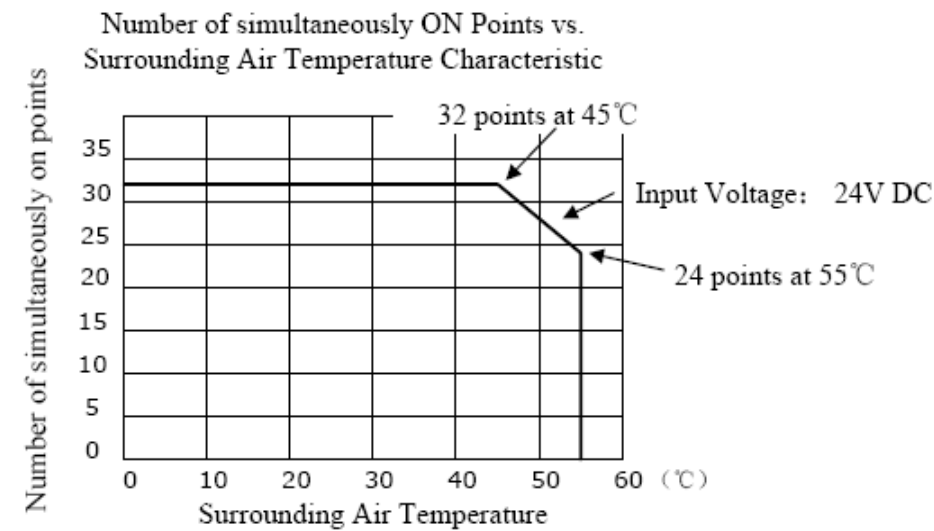
- CJ1W-ID233/OD234 IO wiring

- Use the recommended connector harness: XW2Z-□□□N Series
- Use the recommended terminal unit: XW2□-□□□ Series
- Be sure to wire both terminals 23 and 24 (COM0), and set the same polarity for both pins.
- Be sure to wire both terminals 3 and 4 (COM1), and set the same polarity for both pins.

- Surrounding Air Temperature

- The rated temperature for all Units is 55°C.
- Type CJ1W-ID233 is suitable for a maximum surrounding air of 45° C when all 32 inputs are energized. It is suitable for 55° C when 24 inputs maximum are energized.

When using in a surrounding air temperature of over 45° C, maximum 24 of the input circuits shall be connected or the input circuitry shall be designed so that a maximum of 24 inputs can be energized at a time.



- XW2Z connector cable and XW2B connector-terminal converter unit put the I/O unit connected with terminal block

