

## Compact Limit Switch That's Also Thin and Highly Sealed

- Approved by EN, UL, CSA, and CCC (Chinese standard).  
(Ask your OMRON representative for information on approved models.)
- Sealing characteristics that meet IEC IP67 degree of protection.
- Triple-sealed construction:  
Plunger section sealed via nitrile rubber packing seal and diaphragm; switch section sealed via nitrile rubber cap; cable entrance sealed via encapsulating material.
- Cable lengths of 3 and 5 m available on standard models.  
Models also available with UL and CSA-certified cables.
- Multiple mounting possible with Switches with Plungers.
- Models with red LED indicators added to series for easy confirmation of operation.  
(Set by default to light for non-operation.)
- VCTF oil-resistant cables with CE marking.  
(Applicable only to standard models.)



For the most recent information on models that have been certified for safety standards, refer to your OMRON website.

Be sure to read *Safety Precautions* on page 13 to 14 and *Safety Precautions for All Limit Switches*.

## Model Number Structure

**Model Number Legend** (Not all combinations are possible. Ask your OMRON representative for details.)

### Standard Models

D4C-□□□  
(1)(2)(3)

#### (1) Rated Current

- 1: 5 A at 250 VAC, 4 A at 30 VDC
- 2: 5 A at 125 VAC (with LED indicator)
- 3: 4 A 30 VDC (with LED indicator)
- 4: 0.1 A at 125 VAC, 0.1 A at 30 VDC
- 5: 0.1 A at 125 VAC (with LED indicator)
- 6: 0.1 A at 30 VDC (with LED indicator)

#### (2) Cable Specifications

- 2: VCTF oil-resistant cable (3 m)
- 3: VCTF oil-resistant cable (5 m)
- 4: VCTF (3 m)
- 5: VCTF (5 m)
- 6: SJT(O) (3 m)
- 7: SJT(O) (5 m)

#### (3) Actuator

- 01: Pin plunger
- 02: Roller plunger
- 03: Crossroller plunger
- 20: Roller lever
- 24: Roller lever (high-sensitivity model)
- 31: Sealed pin plunger
- 32: Sealed roller plunger
- 33: Sealed crossroller plunger
- 50: Plastic rod
- 60: Center roller lever

### Pre-wired Models

D4C-□0□□-□□□□□□  
(1) (2) (3) (4)

#### (1) Rated Current

- 1: 1 A at 125 VAC, 1 A at 30 VDC  
(Without operation indicator)
- 2: 1 A at 125 VAC (with operation indicator)
- 3: 1 A at 30 VDC (with operation indicator)

#### (2) Actuator

- 01: Pin plunger
- 02: Roller plunger
- 31: Sealed plunger
- 32: Sealed roller plunger
- 24: Roller lever (high-sensitivity model)

#### (3) Wiring Specifications

- DK1EJ: Pre-wired models  
(3 conductors: DC specification)
- AK1EJ: Pre-wired models  
(3 conductors: AC specification)
- M1J: Connector models for ASI devices  
(2 conductors: NO wiring)

#### (4) Cable length

- 03: 0.3 m

#### Wiring Specifications

Internal switch	Connector
COM	3
NC	2
NO	4

### Weather-resistant Models

D4C-□□□-P  
(1)(2)(3) (4)

#### (1) Rated Current

- 1: 5 A at 250 VAC, 4 A at 30 VDC
- 2: 5 A at 125 VAC (with LED indicator)
- 3: 4 A at 30 VDC (with LED indicator)
- 4: 0.1 A at 125 VAC, 0.1 A at 30 VDC

#### (2) Cable Specifications

- 2: VCTF oil-resistant cable (3 m)
- 3: VCTF oil-resistant cable (5 m)

#### (3) Actuator

- 20: Roller lever
- 24: Roller lever (high-sensitivity model)
- 27: Adjustable roller lever
- 29: Adjustable rod lever











#### (4) Structure

- P: Weather-resistant

## Ordering Information

### Switches

#### Standard Switches with No Operation Indicator

Actuator	Ratings Cable Cable length (m)	Standard load			Microload	
		5 A at 250 VAC, 4 A at 30 VDC			0.1 A at 125 VAC, 0.1 A at 30 VDC	
		VCTF oil-resistant cable *1	VCTF cable *2	SJT(O) cable *3	VCTF oil-resistant cable *1	VCTF cable *2
Model						
Pin plunger 	3	D4C-1201	D4C-1401	D4C-1601	D4C-4201	D4C-4401
	5	D4C-1301	D4C-1501	D4C-1701	D4C-4301	D4C-4501
Roller plunger 	3	D4C-1202	D4C-1402	D4C-1602	D4C-4202	D4C-4402
	5	D4C-1302	D4C-1502	D4C-1702	D4C-4302	D4C-4502
Crossroller plunger 	3	D4C-1203	D4C-1403	D4C-1603	D4C-4203	D4C-4403
	5	D4C-1303	D4C-1503	D4C-1703	D4C-4303	D4C-4503
Roller lever 	3	D4C-1220	D4C-1420	D4C-1620	D4C-4220	D4C-4420
	5	D4C-1320	D4C-1520	D4C-1720	D4C-4320	D4C-4520
Roller lever, high-sensitivity 	3	D4C-1224	D4C-1424	D4C-1624	D4C-4224	D4C-4424
	5	D4C-1324	D4C-1524	D4C-1724	D4C-4324	D4C-4524
Sealed pin plunger 	3	D4C-1231	D4C-1431	D4C-1631	D4C-4231	D4C-4431
	5	D4C-1331	D4C-1531	D4C-1731	D4C-4331	D4C-4531
Sealed roller plunger 	3	D4C-1232	D4C-1432	D4C-1632	D4C-4232	D4C-4432
	5	D4C-1332	D4C-1532	D4C-1732	D4C-4332	D4C-4532
Sealed crossroller plunger 	3	D4C-1233	D4C-1433	D4C-1633	D4C-4233	D4C-4433
	5	D4C-1333	D4C-1533	D4C-1733	D4C-4333	D4C-4533
Plastic rod 	3	D4C-1250	D4C-1450	D4C-1650	D4C-4250	D4C-4450
	5	D4C-1350	D4C-1550	D4C-1750	D4C-4350	D4C-4550
Center roller lever 	3	D4C-1260	D4C-1460	D4C-1660	D4C-4260	D4C-4460
	5	D4C-1360	D4C-1560	---	D4C-4360	D4C-4560

Note: 1. Models are available separately with resistance to viscous oils (oil drain holes are provided), but only with Plunger Models. Add "-M" to the model number (example: D4C-1202 would be D4C-1202-M). Ask your nearest OMRON representative for details.











2. Switches with variable roller levers are also available. Ask your nearest OMRON representative for details.

\*1. Oil-resistant vinyl cabtire cables; approved by EN and IEC.

\*2. Ordinary vinyl cabtire cables.

\*3. Switches with SJT(O) Cables (cables approved by UL and CSA) are approved by UL and CSA.

**Standard Switches with Operation Indicator (Red)**









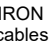
Actuator	Ratings Cable Cable length (m)	5 A at 125 VAC		4 A at 30 VDC	
		VCTF oil-resistant cable *1	VCTF cable *2	VCTF oil-resistant cable *1	VCTF cable *2
		Model			
Pin plunger 	3	D4C-2201	D4C-2401	D4C-3201	D4C-3401
	5	D4C-2301	D4C-2501	D4C-3301	D4C-3501
Roller plunger 	3	D4C-2202	D4C-2402	D4C-3202	D4C-3402
	5	D4C-2302	D4C-2502	D4C-3302	D4C-3502
Crossroller plunger 	3	D4C-2203	D4C-2403	D4C-3203	D4C-3403
	5	D4C-2303	D4C-2503	D4C-3303	D4C-3503
Roller lever 	3	D4C-2220	D4C-2420	D4C-3220	D4C-3420
	5	D4C-2320	D4C-2520	D4C-3320	D4C-3520
Roller lever, high-sensitivity 	3	D4C-2224	D4C-2424	D4C-3224	D4C-3424
	5	D4C-2324	D4C-2524	D4C-3324	D4C-3524
Sealed pin plunger 	3	D4C-2231	D4C-2431	D4C-3231	D4C-3431
	5	D4C-2331	D4C-2531	D4C-3331	D4C-3531
Sealed roller plunger 	3	D4C-2232	D4C-2432	D4C-3232	D4C-3432
	5	D4C-2332	D4C-2532	D4C-3332	D4C-3532
Sealed crossroller plunger 	3	D4C-2233	D4C-2433	D4C-3233	D4C-3433
	5	D4C-2333	D4C-2533	D4C-3333	D4C-3533
Plastic rod 	3	D4C-2250	D4C-2450	D4C-3250	D4C-3450
	5	D4C-2350	D4C-2550	D4C-3350	D4C-3550
Center roller lever 	3	D4C-2260	D4C-2460	D4C-3260	D4C-3460
	5	D4C-2360	D4C-2560	D4C-3360	D4C-3560

Note: Ask your nearest OMRON representative for information on Switching with approved international standards.

\*1. Oil-resistant vinyl cabtire cables; approved by EN and IEC.





\*2. Ordinary vinyl cabtire cables.

**Standard Switches with Operation Indicator**

Actuator	Ratings Cable length (m)	0.1 A at 125 VAC		0.1 A at 30 VDC	
		VCTF oil-resistant cable*		VCTF oil-resistant cable*	
		Model			
Pin plunger		3	D4C-5201	D4C-6201	
		5	---	D4C-6301	
Roller plunger		3	D4C-5202	D4C-6202	
		5	D4C-5302	D4C-6302	
Crossroller plunger		3	D4C-5203	D4C-6203	
		5	D4C-5303	D4C-6303	
Roller lever		3	D4C-5220	D4C-6220	
		5	D4C-5320	D4C-6320	
Roller lever, high-sensitivity		3	D4C-5224	D4C-6224	
		5	D4C-5324	D4C-6324	
Sealed pin plunger		3	---	D4C-6231	
		5	---	D4C-6331	
Sealed roller plunger		3	D4C-5232	D4C-6232	
		5	D4C-5332	D4C-6332	
Sealed crossroller plunger		3	---	D4C-6233	
		5	---	D4C-6333	
Plastic rod		3	D4C-5250	D4C-6250	
		5	D4C-5350	D4C-6350	





Note: Ask your nearest OMRON representative for information on Switching with approved international standards.  
 \* Oil-resistant vinyl cabtire cables; approved by EN and IEC.

**Pre-wired Models (Use VCTF Oil-resistant Cable)**

Actuator	Ratings Operation indicator Cable length (m)	1 A at 125 VAC		1 A at 30 VDC	
		Without operation indicator	With operation indicator	Without operation indicator	With operation indicator
		Model			
Pin plunger		0.3	---	---	D4C-3001-DK1EJ03
Roller plunger		0.3	---	D4C-2002-AK1EJ03	D4C-1002-DK1EJ03 D4C-3002-DK1EJ03
Sealed roller plunger		0.3	---	---	D4C-1032-DK1EJ03 D4C-3032-DK1EJ03
Roller lever (high-sensitivity model)		0.3	---	D4C-2024-AK1EJ03	---


Note: 1. M1J models are also available. Contact your OMRON sales representative for further information.  
 2. Of the above model numbers, some with special specifications are not registered.

**Weather-resistant Models**

Actuator	Ratings Cable length (m)	Without operating indication		With operating indication	
		Standard load	Microload	Standard load	
		5 A at 250 VAC 4 A at 30 VDC	0.1 A at 125 VAC 0.1 A at 30 VDC	5 A at 125 VAC	4 A at 30 VDC
		VCTF oil-resistant cable*			
Model					
Roller lever		3	D4C-1220-P	D4C-4220-P	D4C-2220-P D4C-3220-P
		5	D4C-1320-P	---	---
Roller lever (high-sensitivity model)		3	D4C-1224-P	D4C-4224-P	D4C-2224-P D4C-3224-P
		5	D4C-1324-P	D4C-4324-P	D4C-2324-P D4C-3324-P
Adjustable roller lever		3	D4C-1227-P	D4C-4227-P	D4C-2227-P D4C-3227-P
		5	D4C-1327-P	D4C-4327-P	D4C-2327-P D4C-3327-P
Adjustable rod lever		3	D4C-1229-P	D4C-4229-P	---
		5	D4C-1329-P	---	D4C-2329-P D4C-3329-P

\* Vinyl cabtire cable with excellent oil resistance.  
 Note: Silicon rubber is used to increase resistance to the environment. Silicon rubber, however, can generate silicon gas. (This can occur at room temperature, but the amount of silicon gas generated increases at higher temperatures.) Silicon gas will react as a result of arc energy and form silicon oxide (SiO<sub>2</sub>). If silicon oxide accumulates on the contacts, contact interference can occur and can interfere with the device. Before using a Switch, test it under actual application conditions (including the environment and operating frequency) to confirm that no problems will occur in actual.

### Applicable Cables

Appearance	No. of conductors	Cable length	Type	
			For AC	For DC
Straight 	4	2 m	<b>XS2F-A421-D90-F</b>	<b>XS2F-D421-D80-F</b>
		5 m	<b>XS2F-A421-G90-F</b>	<b>XS2F-D421-G80-F</b>

### Mounting Plates (Order Separately)

The WL/WL-N model incorporated by equipment can be replaced with the D4C together with the Mounting Plate without changing the position of the dog or cam.

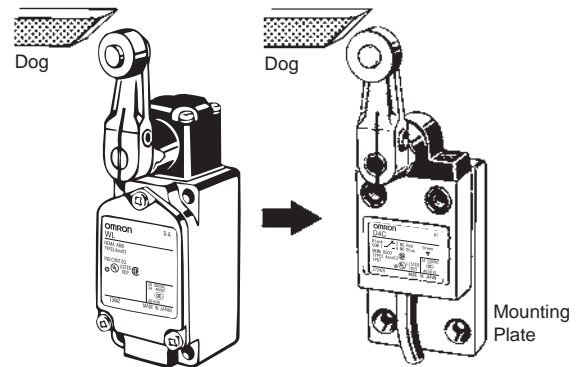
#### List of Replaceable Models

WL/WL-N model (Actuator)	D4C model (Actuator)	Plate
WLD/WL01D/WLD18-N (Top plunger)	➔ D4C-□□01 (Plunger)	<b>D4C-P001</b>
WLD2/WL01D2/WLD28-N (Top roller plunger)	➔ D4C-□□02 (Roller plunger)	<b>D4C-P002</b>
WLCA2/WL01CA2/WLCA2-N (Roller lever)	➔ D4C-□□20 (Roller lever)	<b>D4C-P020</b>

Note: The WL01□ is for micro loads.

#### Example of Replacement

Note: The position of the dog remains unchanged.



### Individual Parts

#### Head/Actuator

Actuator	Head (with actuator)	Actuator
Pin plunger	<b>D4C-0001</b>	---
Roller plunger	<b>D4C-0002</b>	---
Crossroller plunger	<b>D4C-0003</b>	---
Roller lever	<b>D4C-0020</b>	<b>WL-1A100</b>
Roller lever (weather-resistant model)	---	<b>WL-1A100P1</b>
Roller lever (high-sensitivity model)	<b>D4C-0024</b>	<b>WL-1A100</b>
Variable roller lever	<b>D4C-0027</b>	---
Variable rod lever	<b>D4C-0029</b>	<b>HL-1HPA500</b>
Sealed pin plunger	<b>D4C-0031</b>	---
Sealed roller plunger	<b>D4C-0032</b>	---
Sealed crossroller plunger	<b>D4C-0033</b>	---
Plastic rod	<b>D4C-0050</b>	---
Center roller lever	<b>D4C-0060</b>	---

Note: 1. The model numbers for heads are of the form D4C-00□□, with the numbers in the squares indicating the type of actuator.

2. Actuators for plunger models, plastic rod models, and center roller lever models cannot be ordered individually. They must be ordered together with the head.

Specifications

Approved Standards

Agency	Standard	File No.
TÜV Product Service	EN60947-5-1	*1, 3
UL	UL508	E76675 *2
CSA	CSA C22.2 No.14	LR45746 *2
CCC(CQC)	GB/T14048.5	*3

- \*1. Excluding weather-resistant models, only models with VCTF oil-resistant cables and pre-wired models are certified. (Contact your OMRON representative for the model numbers.) Models with VCTF oil-resistant cables and pre-wired models (125 VAC) are certified for CE Marking.
- \*2. SJT(O)-cable models only. (Applicable only to models listed on pages 2 to 3.)
- \*3. Ask your OMRON representative for information on approved models.

Ratings

Standard Model

Rated voltage	Non-inductive load (A)				Inductive load (A)			
	Resistive load		Lamp load		Inductive load		Motor load	
	NC	NO	NC	NO	NC	NO	NC	NO
125 VAC	5 (0.1)		1.5	0.7	3		2.5	1.3
250 VAC	5		1	0.5	2		1.5	0.8
8 VDC	5 (0.1)		2		5	4	3	
14 VDC	5 (0.1)		2		4	4	3	
30 VDC	4 (0.1)		2		3	3	3	
125 VDC	0.4		0.05		0.4		0.05	
250 VDC	0.2		0.03		0.2		0.03	

Inrush current	NC	20 A max.
	NO	10 A max.

- Note: 1. The values given on the top are steady-state currents.  
 2. Inductive loads have a power factor of 0.4 min. (AC) and a time constant of 7 ms max. (DC).  
 3. Lamp loads have an inrush current of 10 times the steady-state current.  
 4. Motor loads have an inrush current of 6 times the steady-state current.  
 5. The values "0.1" given in parentheses are for micro load models.

Pre-wired Model

Rated voltage	Non-inductive load (A)				Inductive load (A)			
	Resistive load		Lamp load		Inductive load		Motor load	
	NC	NO	NC	NO	NC	NO	NC	NO
125 VAC	1	1	1	0.7	1	1	1	1
30 VDC	1	1	1	1	1	1	1	1

Approved Standard Ratings

TÜV (EN60947-5-1), CCC (GB/T14048.5)

Model	Applicable category and ratings	I the
D4C-1□□□	AC-15 2 A/250 V DC-12 2 A/30 V	5 A 4 A
D4C-2□□□	AC-15 2 A/125 V	5 A
D4C-3□□□	DC-12 2 A/30 V	4 A
D4C-4□□□	AC-14 0.1 A/125 V DC-12 0.1 A/30 V	0.5 A 0.5 A
D4C-5□□□	AC-14 0.1 A/125 V	0.5 A
D4C-6□□□	DC-12 0.1 A/30 V	0.5 A

UL/CSA

B300 (D4C-16□□, -17□□)

B150 (D4C-26□□, -27□□)

B300

Rated voltage	Carry current	Current (A)		Volt-amperes (VA)	
		Make	Break	Make	Break
120 VAC	5 A	30	3	3,600	360
240 VAC		15	1.5	3,600	360

B150

Rated voltage	Carry current	Current (A)		Volt-amperes (VA)	
		Make	Break	Make	Break
120 VAC	5 A	30	3	3,600	360

Characteristics

Degree of protection *7	IP67 (EN60947-5-1)	
Durability *1	Mechanical *3	10,000,000 operations min.
	Electrical *2	200,000 operations min. (5 A at 125 VAC, resistive load)
Operating speed	0.1 mm/s to 0.5 m/s (in case of plunger) 1 mm/s to 1 m/s (in case of roller lever)	
Operating frequency	Mechanical	120 operations/min
	Electrical	30 operations/min
Rated frequency	50/60 Hz	
Insulation resistance	100 MΩ min. (at 500 VDC)	
Contact resistance (initial)	250 mΩ max. (initial value with 2-m VCTF cable)	
	300 mΩ max. (initial value with 3-m VCTF cable)	
	400 mΩ max. (initial value with 5-m VCTF cable)	
Dielectric strength	Between terminals of the same polarity	1,000 VAC, 50/60 Hz for 1 min
	Between current-carrying metal part and ground	1,500 VAC, 50/60 Hz for 1 min Uimp: 2.5 kV (EN60947-5-1)
	Between each terminal and non-current-carrying metal part,	1,500 VAC, 50/60 Hz for 1 min Uimp: 2.5 kV(EN60947-5-1)
Rated insulation voltage (Ui)	300 V (EN60947-5-1) *5	
Pollution degree (operating environment)	3 (EN60947-5-1)	
Short-circuit protective device (SCPD)	10 A fuse type gI or gG (IEC60269)	
Conditional short-circuit current	100 A (EN60947-5-1)	
Conventional enclosed thermal current (I the)	5 A, 4 A, 0.5 A (EN60947-5-1)	
Protection against electric shock	Class I (with grounding wire) *6	
Vibration resistance	Malfunction	10 to 55 Hz, 1.5-mm double amplitude *4
Shock resistance	Destruction	1,000 m/s <sup>2</sup> max.
	Malfunction	500 m/s <sup>2</sup> max. *4
Ambient operating temperature	-10°C to +70°C (with no icing)	
Ambient operating humidity	35% to 95%RH	
Weight (D4C-1202)	With 3-m VCTF cable: 360 g	
	With 5-m VCTF cable: 540 g	

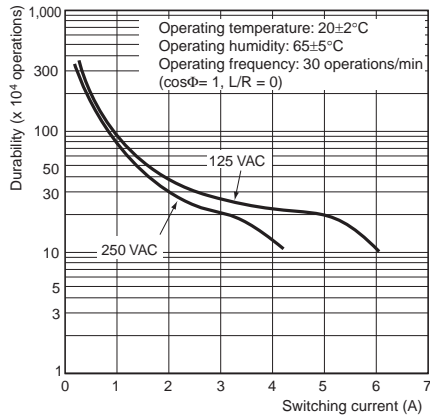
Note: The above figures are initial values.

- \*1. The values are calculated at an operating temperature of +5°C to +35°C, and an operating humidity of 40% to 70%RH. Contact your OMRON sales representative for more detailed information on other operating environments.
- \*2. Pre-wired Models: 1,000,000 operations min. (DC specifications, switching current: 0.1 A)
- \*3. Outdoor specifications: 500,000 operations min.
- \*4. Excluding Plastic Rods.
- \*5. Pre-wired models: 250 V
- \*6. Pre-wired models: class III
- \*7. The degree of protection is tested using the method specified by the standard (EN60947-5-1). Confirm that sealing properties are sufficient for the operating conditions and environment beforehand.

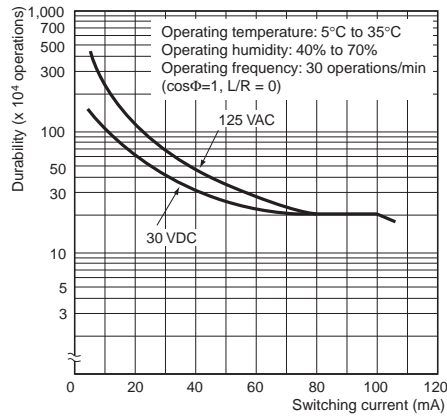
**Engineering Data**

**Electrical Durability**

**D4C-1□□□, -2□□□, -3□□□**



**D4C-4□□□, -5□□□, -6□□□**



**Leakage Current for LED-indicator Models**

The leakage currents and resistances of LED-indicator models are given in the following table.

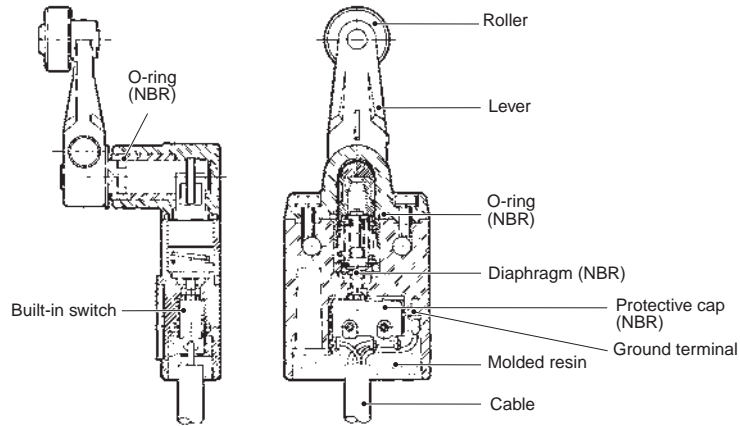
Model	Voltage	Leakage current	Resistance
D4C-2□□□	125 VAC	1.7 mA	68 kΩ
D4C-3□□□	30 VDC	1.7 mA	15 kΩ
D4C-5□□□	125 VAC	1.7 mA	68 kΩ
D4C-6□□□	30 VDC	1.7 mA	15 kΩ

**Structure and Nomenclature**

**Structure**

**Standard Models**

**Roller Lever Models Without Indicator**



**Weather-resistant Models**

**Roller Lever Models Without Indicator**

**Roller**

The roller is made of self-lubricating sintered stainless steel and boasts high resistance to wear.

**Shaft Section Seal**

By fitting an O-ring to the rotary shaft and with an appropriate interference of the screws, high-sealing properties are maintained. The O-ring is made of silicone rubber and is resistant to temperature changes and adverse weather conditions.

**Head-mounting Screw**

The diaphragm is made of silicone rubber and is resistant to temperature changes and adverse weather conditions.

**Cable**

Vinyl cable and is resistant to adverse weather conditions.

**Lever**

The lever forged of anti-corrosive aluminium alloy features high corrosion resistances and outstanding ruggedness.

**Roller Lever Setscrew**

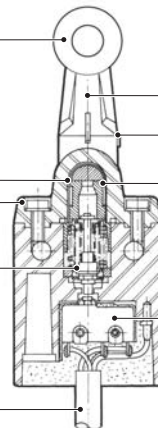
This screw is made of stainless steel and has high corrosion resistance.

**Rotary Shaft**

The shaft is made of stainless steel decreasing the likelihood of rusting.

**Built-in Switch**

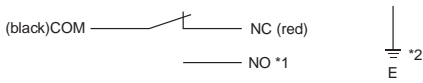
Both standard load and microload models available.



**Contact Form**

**Standard Models/Weather-resistant Models**

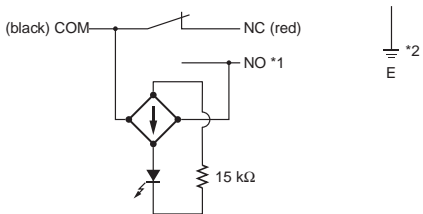
**Without Operation Indicator**



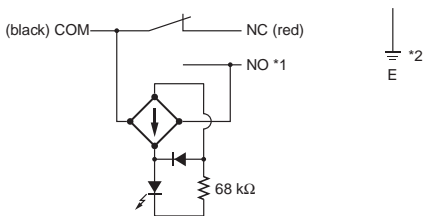
**With Operation Indicator**

**(Lit when Not Actuated)**

**<24 VDC LED>**

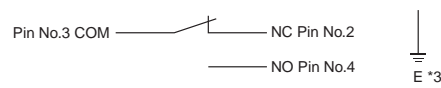


**<100 VAC LED>**



**Pre-wired Models (-AK1EJ□, -DK1EJ□)**

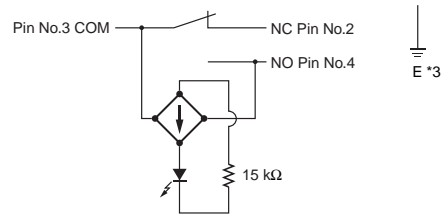
**Without Operation Indicator**



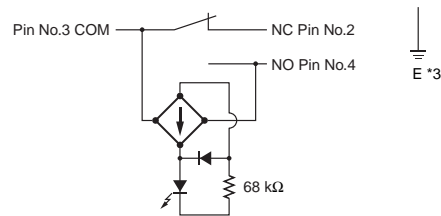
**With Operation Indicator**

**(Lit when Not Actuated)**

**<24 VDC LED>**

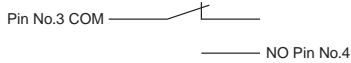


**<100 VAC LED>**



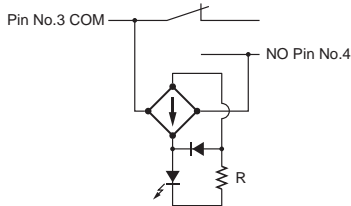
**Connector Models for ASI Devices (-M1J)**

**Without Operation Indicator**

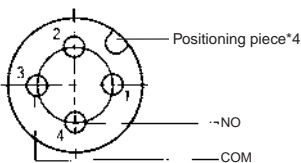


**With Operation Indicator**

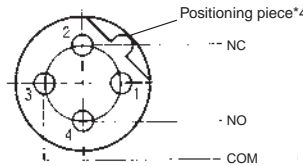
**(Lit when Not Actuated)**



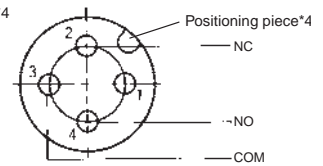
**For DC**



**For AC**



**For DC**



- \*1. NO (white): VCTF oil-resistant cable or VCTF cable.  
NO (blue): SJT (O) cable approved by UL and CSA.
  - \*2. E (yellow/green): VCTF oil-resistant cable.  
E (green): VCTF cable or SJT (O) cable approved by UL and CSA.
  - \*3. E (ground) is not grounded.
  - \*4. The position of the positioning piece is not fixed. Using an L-shaped connector may result in failure. Use only a straight connector.
- Note: 1. "Lit when not Actuated" means that when the actuator is in the free position, the indicator is lit, and when the actuator is turned or pushed and the contact comes into contact with the NO side, the indicator turns OFF.  
2. Leakage current from indicator circuit may cause load's malfunction. Please check the load's OFF current before use the indicator-equipped switch.



# Dimensions and Operating Characteristics

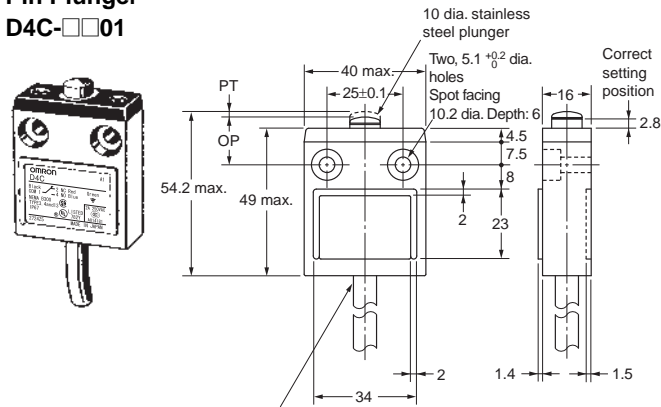
## Switches

### Standard Models

Models without LED indicators are shown in the illustrations and dimensions diagrams. Refer to page 11 for *Models with LED Indicators*. The boxes in the model numbers are replaced with the rating and cable type. Refer to page 1 for the *Model Number Structure*.

### Pin Plunger

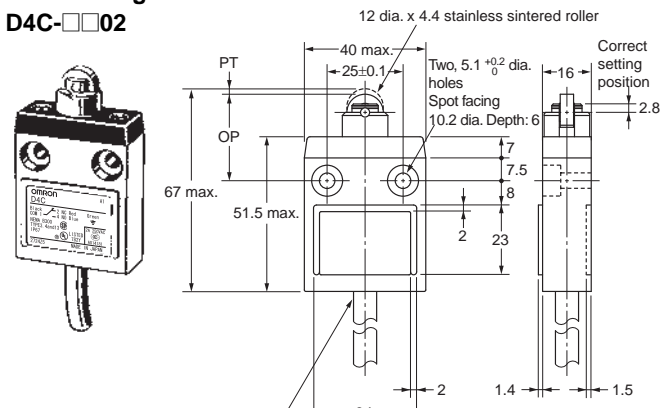
D4C-□□01



VCTF cable, VCTF oil-resistant cable: 0.75 mm<sup>2</sup>, 4 conductor, Finishing O.D. 7.6 dia.  
SJT(O) cable: 0.83 mm<sup>2</sup>, 4 conductor, Finishing O.D. 8.6 dia.

### Roller Plunger

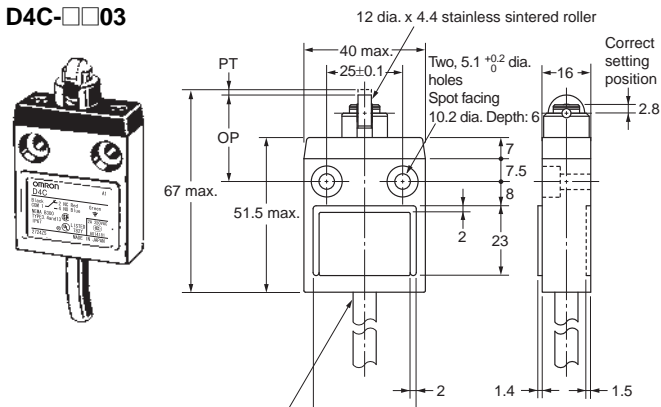
D4C-□□02



VCTF cable, VCTF oil-resistant cable: 0.75 mm<sup>2</sup>, 4 conductor, Finishing O.D. 7.6 dia.  
SJT(O) cable: 0.83 mm<sup>2</sup>, 4 conductor, Finishing O.D. 8.6 dia.

### Crossroller Plunger

D4C-□□03

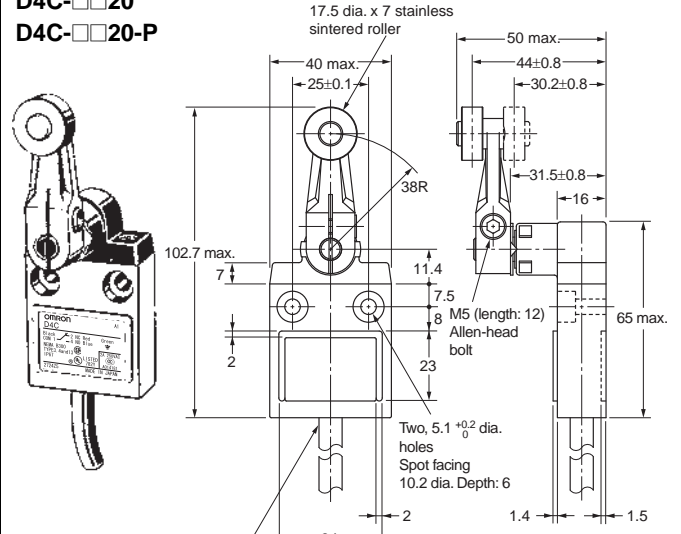


VCTF cable, VCTF oil-resistant cable: 0.75 mm<sup>2</sup>, 4 conductor, Finishing O.D. 7.6 dia.  
SJT(O) cable: 0.83 mm<sup>2</sup>, 4 conductor, Finishing O.D. 8.6 dia.

### Roller Lever

D4C-□□20

D4C-□□20-P

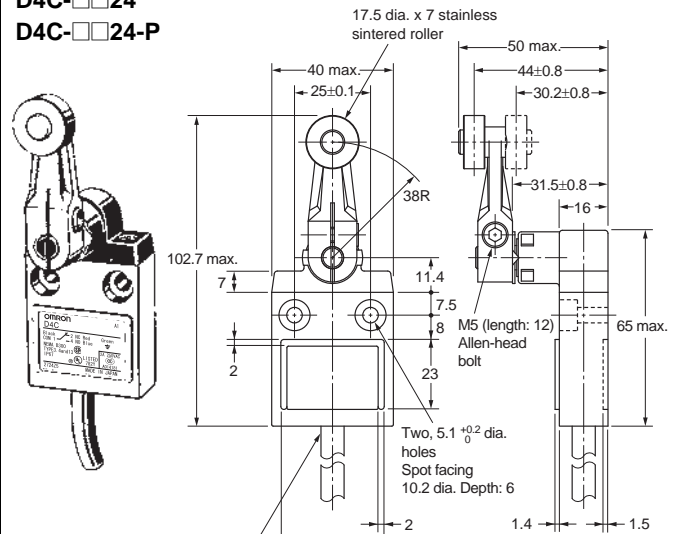


D4C-□□20  
VCTF cable, VCTF oil-resistant cable: 0.75 mm<sup>2</sup>, 4 conductor, Finishing O.D. 7.6 dia.  
SJT(O) cable: 0.83 mm<sup>2</sup>, 4 conductor, Finishing O.D. 8.6 dia.  
D4C-□□20-P (Weather-resistant Models)  
VCTF oil-resistant cable\*: 0.75 mm<sup>2</sup>, 4 conductor, Finishing O.D. 7.6 dia.  
\* VCTF oil-resistant cable only.

### Roller Lever (High-Sensitivity Model)

D4C-□□24

D4C-□□24-P

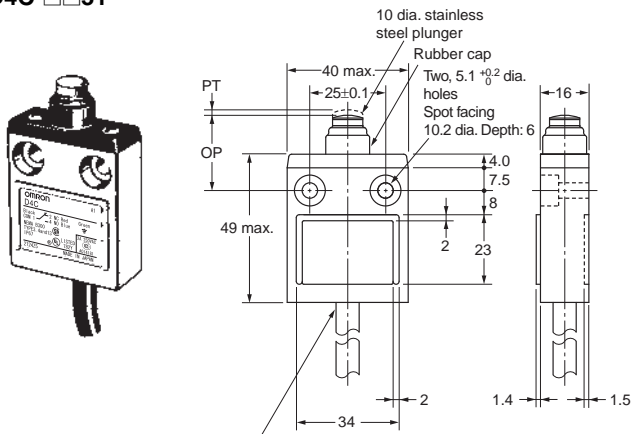


D4C-□□24  
VCTF cable, VCTF oil-resistant cable: 0.75 mm<sup>2</sup>, 4 conductor, Finishing O.D. 7.6 dia.  
SJT(O) cable: 0.83 mm<sup>2</sup>, 4 conductor, Finishing O.D. 8.6 dia.  
D4C-□□24-P (Weather-resistant Models)  
VCTF oil-resistant cable\*: 0.75 mm<sup>2</sup>, 4 conductor, Finishing O.D. 7.6 dia.  
\* VCTF oil-resistant cable only.

Note: Unless otherwise specified, a tolerance of ±0.4 mm applies to all dimensions.

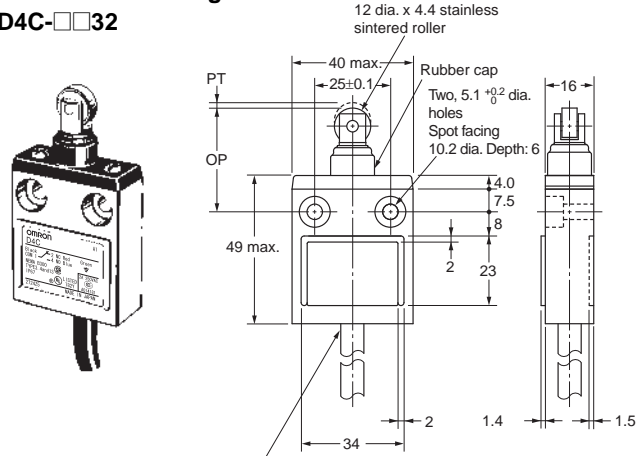
Model		D4C-□□01	D4C-□□02	D4C-□□03	D4C-□□20 D4C-□□20-P	D4C-□□24 D4C-□□24-P
Operating force	OF max.	11.77 N	11.77 N	11.77 N	5.69 N	5.69 N
Release force	RF min.	4.41 N	4.41 N	4.41 N	1.47 N	1.47 N
Pretravel	PT max.	1.8 mm	1.8 mm	1.8 mm	25°	10°±3°
Overttravel	OT min.	3 mm	3 mm	3 mm	40°	50°
Movement Differential	MD max.	0.2 mm	0.2 mm	0.2 mm	3°	3°
Operating Position	OP	15.7±1 mm	28.5±1 mm	28.5±1 mm	---	---

**Sealed Plunger**  
D4C-□□31



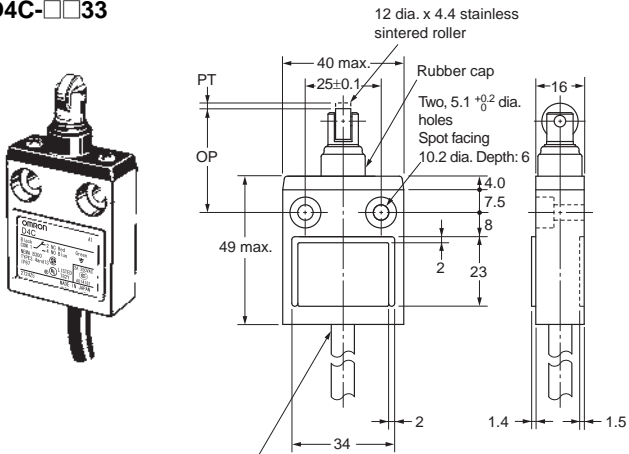
VCTF cable, VCTF oil-resistant cable: 0.75 mm<sup>2</sup>, 4 conductor, Finishing O.D. 7.6 dia.  
SJT(O) cable: 0.83 mm<sup>2</sup>, 4 conductor, Finishing O.D. 8.6 dia.

**Sealed Roller Plunger**  
D4C-□□32



VCTF cable, VCTF oil-resistant cable: 0.75 mm<sup>2</sup>, 4 conductor, Finishing O.D. 7.6 dia.  
SJT(O) cable: 0.83 mm<sup>2</sup>, 4 conductor, Finishing O.D. 8.6 dia.

**Sealed Crossroller Plunger**  
D4C-□□33



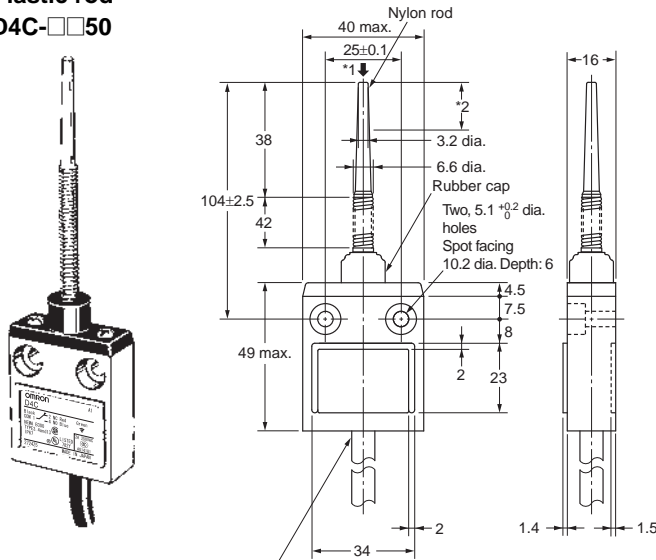
VCTF cable, VCTF oil-resistant cable: 0.75 mm<sup>2</sup>, 4 conductor, Finishing O.D. 7.6 dia.  
SJT(O) cable: 0.83 mm<sup>2</sup>, 4 conductor, Finishing O.D. 8.6 dia.

Note: Unless otherwise specified, a tolerance of ±0.4 mm applies to all dimensions.

Operating characteristics		Model	D4C-□□31	D4C-□□32	D4C-□□33
Operating force	OF max.		17.65 N	17.65 N	17.65 N
Release force	RF min.		4.41 N	4.41 N	4.41 N
Pretravel	PT max.		1.8 mm	1.8 mm	1.8 mm
Overtravel	OT min.		3 mm	3 mm	3 mm
Movement Differential	MD max.		0.2 mm	0.2 mm	0.2 mm
Operating Position	OP		24.9±1 mm	34.3±1 mm	34.3±1 mm
Total travel	TT *		(5) mm	(5) mm	(5) mm

\* The TT is a reference value.

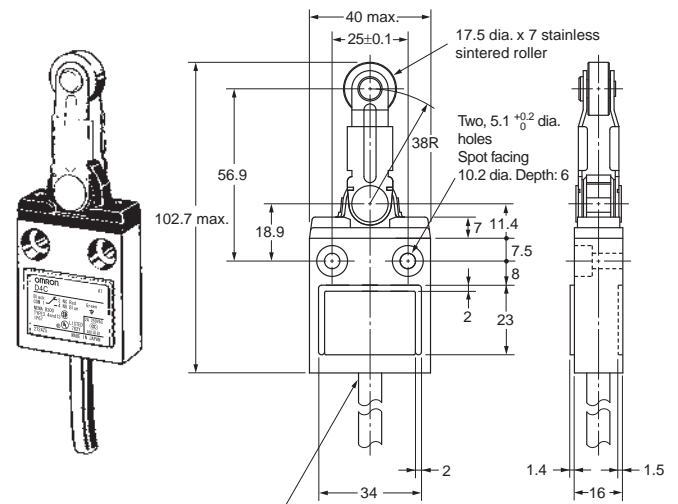
**Plastic rod  
D4C-□□50**



VCTF cable, VCTF oil-resistant cable: 0.75 mm<sup>2</sup>, 4 conductor, Finishing O.D. 7.6 dia.  
SJT(O) cable: 0.83 mm<sup>2</sup>, 4 conductor, Finishing O.D. 8.6 dia.

- \*1 Operation is possible in any direction except in parallel to the axis.
- \*2 The ideal range for operation is between the tip of the rod and 1/3 of the length of the actuator.

**Center Roller Lever Plunger  
D4C-□□60**



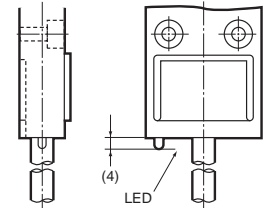
VCTF cable, VCTF oil-resistant cable: 0.75 mm<sup>2</sup>, 4 conductor, Finishing O.D. 7.6 dia.  
SJT(O) cable: 0.83 mm<sup>2</sup>, 4 conductor, Finishing O.D. 8.6 dia.

Note: Unless otherwise specified, a tolerance of ±0.4 mm applies to all dimensions.

Operating characteristics	Model	D4C-□□50	D4C-□□60
Operating force	OF max.	1.47 N	6.67 N
Release force	RF min.	---	1.47 N
Pretravel	PT max.	15°	10°±3°
Overtravel	OT min.	---	50°
Movement Differential	MD max.	---	3°
Operating Position	OP	---	---
Total travel	TT	---	---

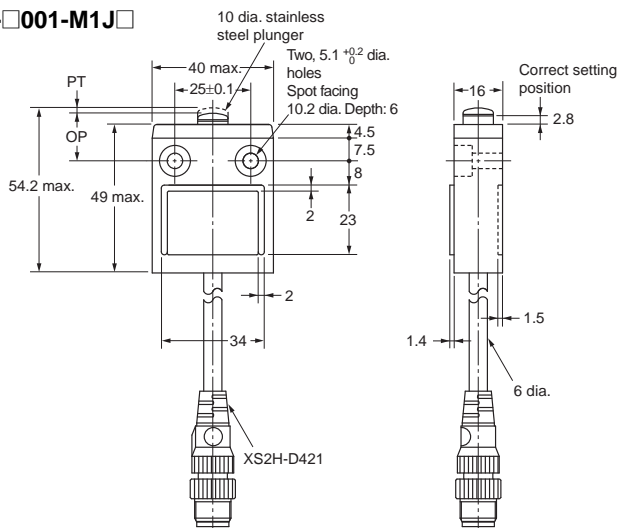
**Models with LED Indicator**

The dimensions of the LED indicator for models equipped with one are shown below.

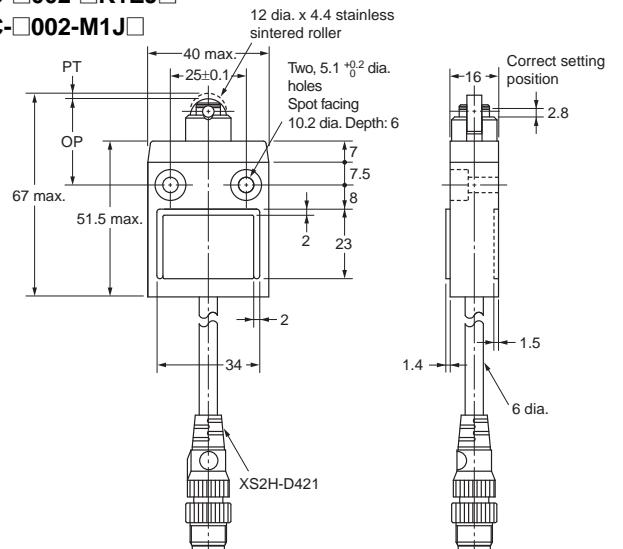


**Pre-wired Models**

**Pin Plunger  
D4C-□001-□K1EJ□  
D4C-□001-M1J□**



**Roller Plunger  
D4C-□002-□K1EJ□  
D4C-□002-M1J□**



Note: Unless otherwise specified, a tolerance of ±0.4 mm applies to all dimensions.

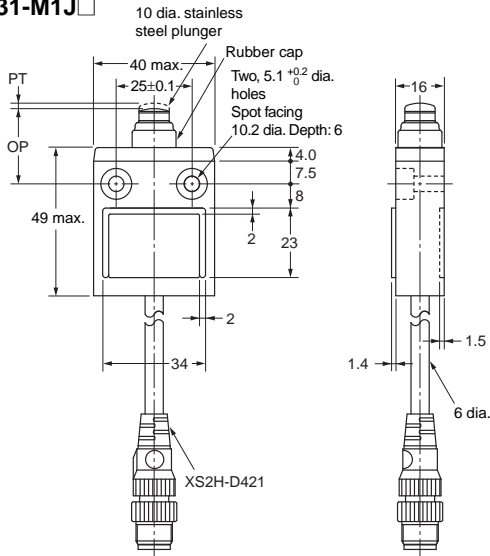
Operating characteristics	Model	D4C-□001-□K1EJ□	D4C-□002-□K1EJ□
Operating force	OF max.	11.77 N	11.77 N
Release force	RF min.	4.41 N	4.41 N
Pretravel	PT max.	1.8 mm	1.8 mm
Overtravel	OT min.	3 mm	3 mm
Movement Differential	MD max.	0.2 mm	0.2 mm
Operating Position	OP	15.7±1 mm	28.5±1 mm

Note: Specifications are the same for -M1J Switches.

**Sealed Pin Plunger**

D4C-□031-□K1EJ□

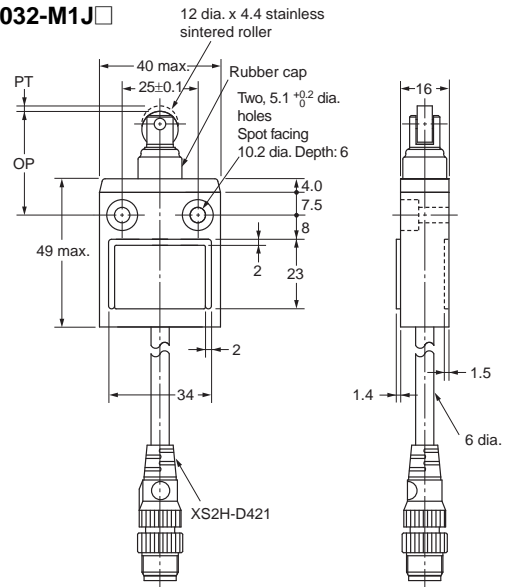
D4C-□031-M1J□



**Sealed Roller Plunger**

D4C-□032-□K1EJ□

D4C-□032-M1J□



Note: Unless otherwise specified, a tolerance of  $\pm 0.4$  mm applies to all dimensions.

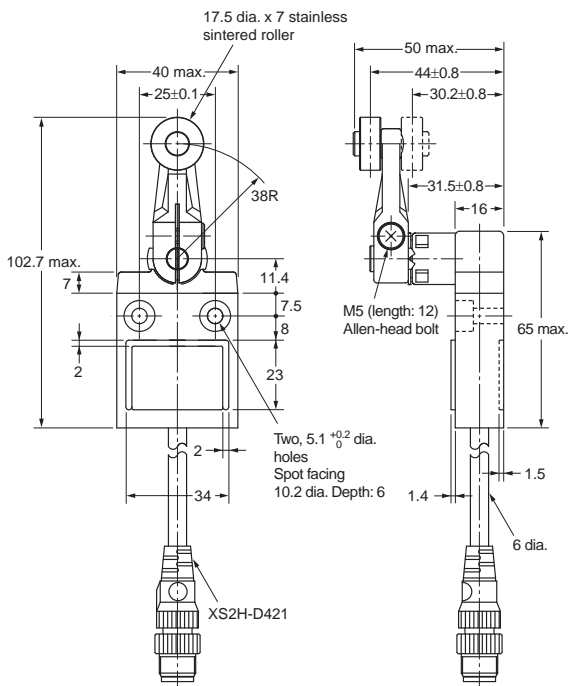
Operating characteristics		Model	D4C-□031-□K1EJ□	D4C-□032-□K1EJ□
Operating force	OF	max.	17.65 N	17.65 N
Release force	RF	min.	4.41 N	4.41 N
Pretravel	PT	max.	1.8 mm	1.8 mm
Overtravel	OT	min.	3 mm	3 mm
Movement Differential	MD	max.	0.2 mm	0.2 mm
Operating Position	OP		24.9 $\pm$ 1 mm	34.3 $\pm$ 1 mm

Note: Specifications are the same for -M1J Switches

**Roller Lever (High-sensitivity Model)**

D4C-□024-□K1EJ□

D4C-□024-M1J□



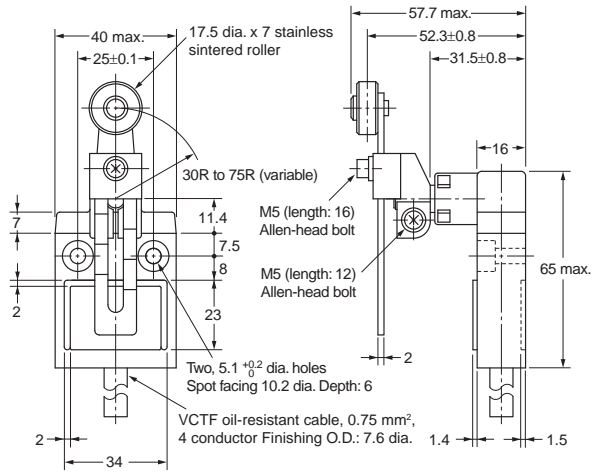
Operating characteristics		Model	D4C-□024-□K1EJ□
Operating force	OF	max.	5.69 N
Release force	RF	min.	1.47 N
Pretravel	PT		10 $^{\circ}$ $\pm$ 3 $^{\circ}$
Overtravel	OT	min.	50 $^{\circ}$
Movement Differential	MD	max.	3 $^{\circ}$
Operating Position	OP		---

Note: Specifications are the same for -M1J Switches

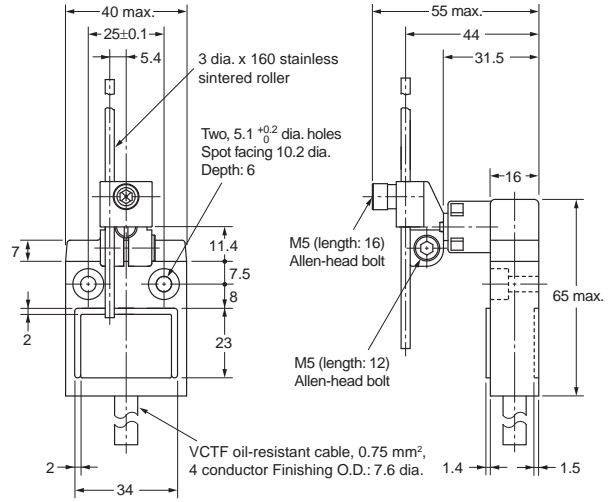
Note: Unless otherwise specified, a tolerance of  $\pm 0.4$  mm applies to all dimensions.

**Weather-resistant Models**

**Adjustable Roller Lever  
D4C-□□27-P**



**Adjustable Rod Lever  
D4C-□□29-P**



Note: Unless otherwise specified, a tolerance of ±0.4 mm applies to all dimensions.

Operating characteristics		Model	D4C-□□27-P	D4C-□□29-P *
Operating force	OF	max.	5.69 N	5.69 N
Release force	RF	min.	1.47 N	1.47 N
Pretravel	PT	max.	25°	25°
Overtravel	OT	min.	40°	40°
Movement Differential	MD	max.	3°	3°

\* Operation characteristics for the D4C-□□27-P and D4C-□□29-P are for a lever length of 38 mm.

**Safety Precautions**

Refer to *Safety Precautions for All Limit Switches.*

**Precautions for Correct Use**

**Operating Environment**

- Seal material may deteriorate if a Switch is used outdoor or where subject to special cutting oils, solvents, or chemicals. Always appraise performance under actual application conditions and set suitable maintenance and replacement periods.
- Install Switches where they will not be directly subject to cutting chips, dust, or dirt. The Actuator and Switch must also be protected from the accumulation of cutting chips or sludge.



- Constantly subjecting a Switch to vibration or shock can result in wear, which can lead to contact interference with contacts, operation failure, reduced durability, and other problems. Excessive vibration or shock can lead to false contact operation or damage. Install Switches in locations not subject to shock and vibration and in orientations that will not produce resonance.
- If there are materials that contain silicon components or phosphorus components in the vicinity of where the Switch is being used, these components may be converted into gas due to the type of the material or the operating temperature or humidity, resulting in inadequate conductivity. Examples of sources of silicon and phosphorous gas are shown below. Refer to these examples and implement countermeasures.

**Examples of silicon gas sources**

**Sources**  
Silicon-based coating agents, silicon-based adhesives, silicon rubber, silicon oil/grease, silicon-based mold release agents, silicon filling agents, silicone power cables

**Countermeasure details:**  
When a source of silicon gas exists, you are asked to suppress arcing with contact protective circuits, to remove this source from the vicinity of the Switch, or to change to a different material. Also, if you cannot avoid using the Switch in an environment where a source of silicon gas is present, check the Switch in the actual environment where it will be used and periodically inspect and replace the Switch.

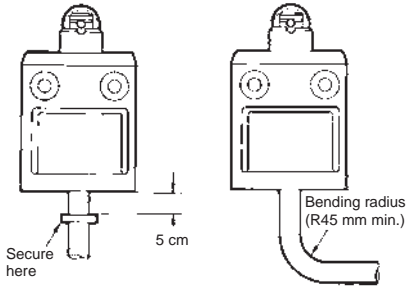
**Examples of phosphorus compound gas sources**

**Sources**  
Heat-shrinking tubes, lead wires, connectors, resin materials including red phosphorus, oil, industrial waste, decaying materials (garbage), seawater, insecticides, smoking materials, chemicals

**Countermeasure details:**  
When a source of phosphorus compound gas exists, you are asked to remove this source from the vicinity of the Switch or to change to a different material. Also, if you cannot avoid using the Switch in an environment where a material including phosphorus (ammonium dihydrogen phosphate-based) components is present, check the Switch in the actual environment where it will be used and periodically inspect and replace the Switch.

**Handling**

The bottom of the Switch at the cable outlet is resin-molded. Secure the cable at a point 5 cm from the Switch bottom to prevent exertion of excess force on the cable. When bending the cable, provide a bending radius of 45 mm min. so as not to damage the cable insulation or sheath. Excessive bending may cause fire or leakage current.

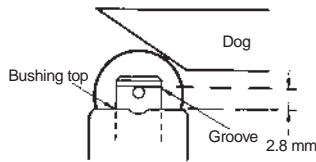


**Connections**

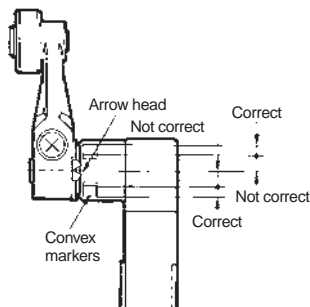
- Be sure to connect a fuse with a breaking current 1.5 to 2 times larger than the rated current to the Limit Switch in series in order to protect the Limit Switch from damage due to short-circuiting.
- When using the Limit Switch for the EN ratings, use the gl or gG 10-A fuse.

**Operation**

- Operation method, shapes of cam and dog, operating frequency, and overtravel have a significant effect on the service life and precision of a Limit Switch. For this reason, the dog angle must be 30° max., the surface roughness of the dog must be 6.3 S min. and hardness must be Hv 400 to 500.
- To allow the plunger-type actuator to travel properly, adjust the dog and cam to the proper setting positions. The proper position is where the plunger groove fits the bushing top.



- To allow the roller lever-type actuator to travel properly, adjust the dog and cam so that the arrow head is positioned between the two convex markers as shown below.

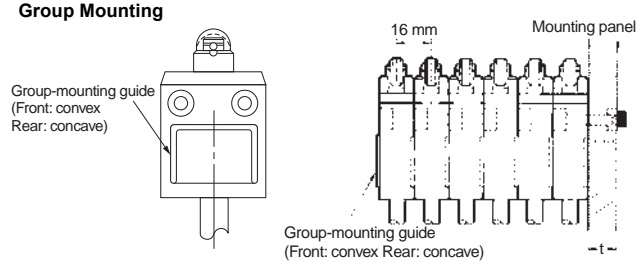


**Indicator**

- Indicator-equipped switch has contacts and indicator in parallel. When contacts are open, leakage current flows through the indicator circuit and may cause load's malfunction. Please check the load's OFF current before use the indicator-equipped switch.

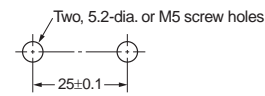
**Mounting**

- A maximum of 6 Switches may be group-mounted. In this case, pay attention to the mounting direction so that the convex part of the group-mounting guide on one Switch fits into the concave part of the guide on the other Switch as shown in the figure below. For group mounting, the mounting panel must have a thickness (t) of 6 mm min.



- If the mounting panel is warped or has protruding parts, a malfunction may result. Make sure that the mounting panel is not warped and has even surfaces.

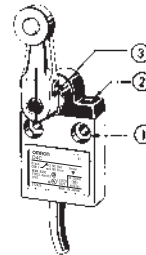
**Mounting Holes**



- Use a Switch with a rubber cap when using the plunger type in an environment where malfunction is possible due to environmental conditions such as dust or cutting chips which may not allow resetting.
- Do not expose the Switch to water exceeding 70°C or use it in steam.
- When the D4C is used in a circuit of a device to be exported to Europe, classified as Overvoltage Class III as specified in IEC664, provide a contact protection circuit.
- Tighten each screw to a torque according to the following table.

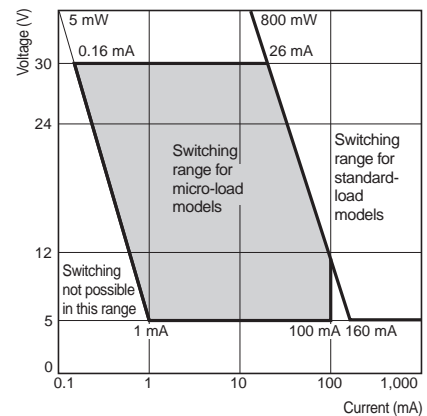
No.	Type	Appropriate tightening torque*
1	M5 Allen-head bolt	4.90 to 5.88 N·m
2	M3.5 head mounting screw	0.78 to 0.88 N·m
3	M5 Allen-head bolt	4.90 to 5.88 N·m

\* By removing the two screws from the head, the head direction can be rotated 180°. After changing the head direction, re-tighten to the torque specified above. Be careful not to allow any foreign substance to enter the Switch.



**Micro-load Models (D4C-4, -5, -6)**

Micro-load models can be used for switching in the range shown below.



## Terms and Conditions Agreement

### Read and understand this catalog.

Please read and understand this catalog before purchasing the products. Please consult your OMRON representative if you have any questions or comments.

### Warranties.

(a) Exclusive Warranty. Omron's exclusive warranty is that the Products will be free from defects in materials and workmanship for a period of twelve months from the date of sale by Omron (or such other period expressed in writing by Omron). Omron disclaims all other warranties, express or implied.

(b) Limitations. OMRON MAKES NO WARRANTY OR REPRESENTATION, EXPRESS OR IMPLIED, ABOUT NON-INFRINGEMENT, MERCHANTABILITY OR FITNESS FOR A PARTICULAR PURPOSE OF THE PRODUCTS. BUYER ACKNOWLEDGES THAT IT ALONE HAS DETERMINED THAT THE PRODUCTS WILL SUITABLY MEET THE REQUIREMENTS OF THEIR INTENDED USE.

Omron further disclaims all warranties and responsibility of any type for claims or expenses based on infringement by the Products or otherwise of any intellectual property right. (c) Buyer Remedy. Omron's sole obligation hereunder shall be, at Omron's election, to (i) replace (in the form originally shipped with Buyer responsible for labor charges for removal or replacement thereof) the non-complying Product, (ii) repair the non-complying Product, or (iii) repay or credit Buyer an amount equal to the purchase price of the non-complying Product; provided that in no event shall Omron be responsible for warranty, repair, indemnity or any other claims or expenses regarding the Products unless Omron's analysis confirms that the Products were properly handled, stored, installed and maintained and not subject to contamination, abuse, misuse or inappropriate modification. Return of any Products by Buyer must be approved in writing by Omron before shipment. Omron Companies shall not be liable for the suitability or unsuitability or the results from the use of Products in combination with any electrical or electronic components, circuits, system assemblies or any other materials or substances or environments. Any advice, recommendations or information given orally or in writing, are not to be construed as an amendment or addition to the above warranty.

See <http://www.omron.com/global/> or contact your Omron representative for published information.

### Limitation on Liability: Etc.

OMRON COMPANIES SHALL NOT BE LIABLE FOR SPECIAL, INDIRECT, INCIDENTAL, OR CONSEQUENTIAL DAMAGES, LOSS OF PROFITS OR PRODUCTION OR COMMERCIAL LOSS IN ANY WAY CONNECTED WITH THE PRODUCTS, WHETHER SUCH CLAIM IS BASED IN CONTRACT, WARRANTY, NEGLIGENCE OR STRICT LIABILITY.

Further, in no event shall liability of Omron Companies exceed the individual price of the Product on which liability is asserted.

### Suitability of Use.

Omron Companies shall not be responsible for conformity with any standards, codes or regulations which apply to the combination of the Product in the Buyer's application or use of the Product. At Buyer's request, Omron will provide applicable third party certification documents identifying ratings and limitations of use which apply to the Product. This information by itself is not sufficient for a complete determination of the suitability of the Product in combination with the end product, machine, system, or other application or use. Buyer shall be solely responsible for determining appropriateness of the particular Product with respect to Buyer's application, product or system. Buyer shall take application responsibility in all cases.

NEVER USE THE PRODUCT FOR AN APPLICATION INVOLVING SERIOUS RISK TO LIFE OR PROPERTY OR IN LARGE QUANTITIES WITHOUT ENSURING THAT THE SYSTEM AS A WHOLE HAS BEEN DESIGNED TO ADDRESS THE RISKS, AND THAT THE OMRON PRODUCT(S) IS PROPERLY RATED AND INSTALLED FOR THE INTENDED USE WITHIN THE OVERALL EQUIPMENT OR SYSTEM.

### Programmable Products.

Omron Companies shall not be responsible for the user's programming of a programmable Product, or any consequence thereof.

### Performance Data.

Data presented in Omron Company websites, catalogs and other materials is provided as a guide for the user in determining suitability and does not constitute a warranty. It may represent the result of Omron's test conditions, and the user must correlate it to actual application requirements. Actual performance is subject to the Omron's Warranty and Limitations of Liability.

### Change in Specifications.

Product specifications and accessories may be changed at any time based on improvements and other reasons. It is our practice to change part numbers when published ratings or features are changed, or when significant construction changes are made. However, some specifications of the Product may be changed without any notice. When in doubt, special part numbers may be assigned to fix or establish key specifications for your application. Please consult with your Omron's representative at any time to confirm actual specifications of purchased Product.

### Errors and Omissions.

Information presented by Omron Companies has been checked and is believed to be accurate; however, no responsibility is assumed for clerical, typographical or proofreading errors or omissions.