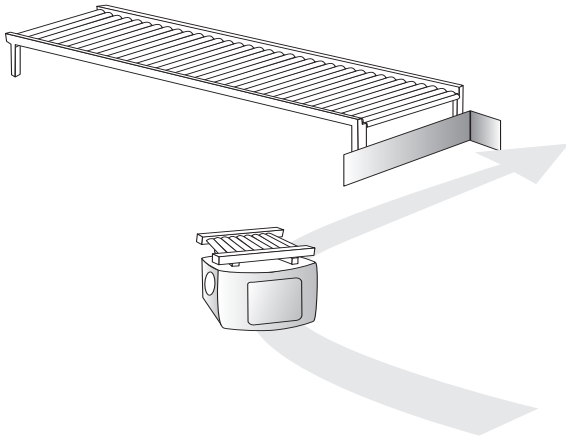


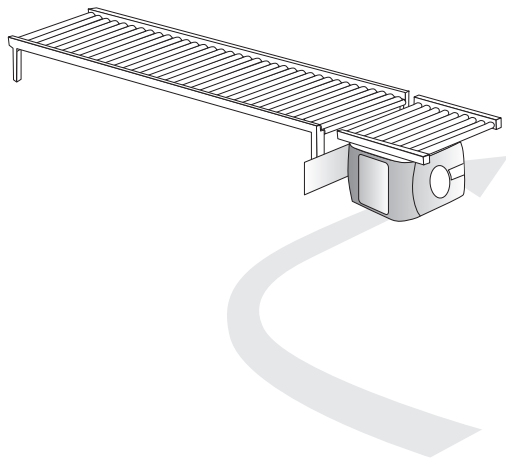
Cell Alignment Positioning System (CAPS)

OMRON



CAPS technology utilizes the **main safety scanning laser** to detect a target in the environment and enables the robot to drive to the desired location with **unrivalled precision**.

OMRON's mobile robots can dock to a machine with **high accuracy**. It can also **approach from any angle** so that customers do not need to worry about floor layout, nor the shape of the load.



This will allow **smoother and quicker handover** of material, contributing to **shorter cycle time** and **increased efficiency**.

CAPS is available for all OMRON mobile robots



Cell Alignment Positioning System (CAPS)

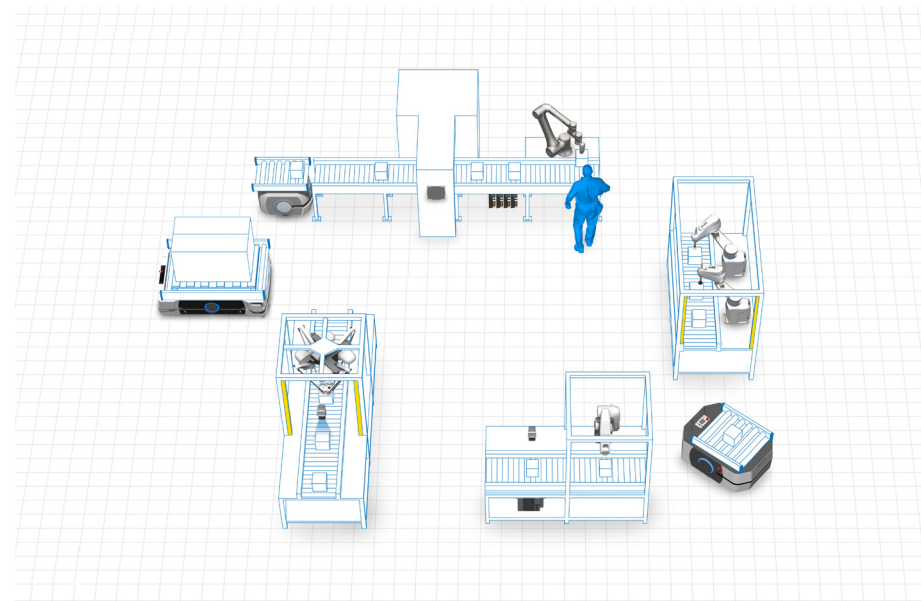


Improved Accuracy

- CAPS aligns OMRON's mobile robots with machinery at $\pm 8\text{mm}$ position accuracy and $\pm 1^\circ$ rotation accuracy.
- Flexible navigation allows the robot to approach a destination from any angle, so that docking can be achieved from any direction.
- Enables a smoother and quicker loading & unloading of material, contributing to a shorter cycle time.


Easy Setup & Installation

- CAPS doesn't require a physical magnetic marker to indicate where to stop.
- Equipment setup will cost less because CAPS utilizes the main safety scanning laser and no additional sensor is required.
- CAPS allows an offset per robot, meaning the user can dial out the slight hardware differences of the top attachment in the fleet just by changing the parameters.
- Minor updates to the application can be simply made after installation.



OMRON Asia Pacific Regional HQ
T (65) 6835 3011
F (65) 6835 2711
E enquiry-apac@omron.com
W omron-ap.com

Get Constant Updates

 [facebook.com/OmronAPAC.IAB](https://www.facebook.com/OmronAPAC.IAB)

 [linkedin.com/company/omron-industrial-automation-apac](https://www.linkedin.com/company/omron-industrial-automation-apac)

Australia
TF 1300 766 766
F 1300 434 682
E enquiry-au@omron.com
W omron.com.au

India
T (91-22) 7128 8400
F (91-22) 7115 5602
E enquiry-in@omron.com
W omron-ap.co.in

Indonesia
T (62-21) 2949 7500
F (62-21) 2949 7555
E enquiry-id@omron.com
W omron.co.id

Malaysia
T (60-3) 7888 2888
F (60-3) 7888 2833
E enquiry-my@omron.com
W omron-ap.com.my

New Zealand
T 0800 468 786
F (64-9) 358 4411
E enquiry-nz@omron.com
W omron-ap.co.nz

Philippines
T (63-2) 811 2831
F (63-2) 811 2583
E enquiry-ph@omron.com
W omron-ap.com.ph

Singapore
T (65) 6547 6789
F (65) 6547 6769
E enquiry-sg@omron.com
W omron-ap.com.sg

Thailand
T (66-2) 942 6700
F (66-2) 937 0501
E enquiry-th@omron.com
W omron-ap.co.th

Vietnam
T (84-28) 3920 4338
F (84-28) 3920 4335
E enquiry-hn@omron.com
W omron.com.vn